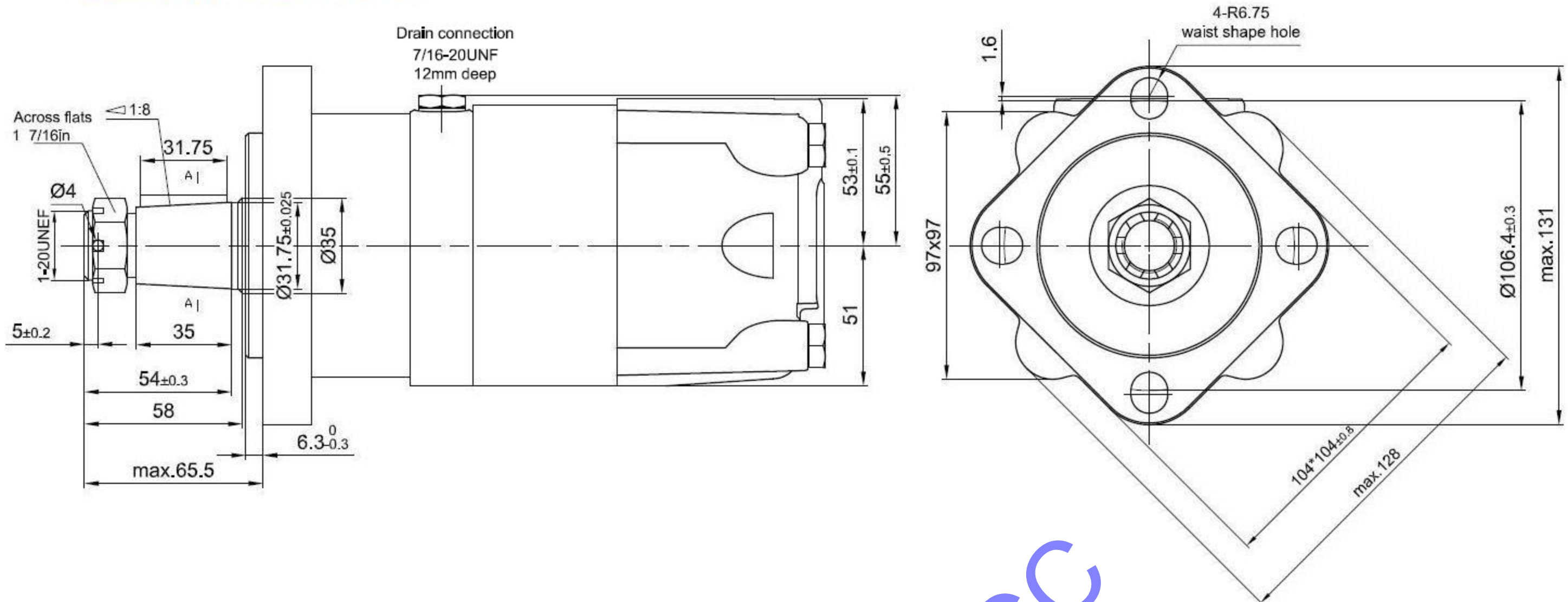


BMS Series hydraulic orbit motor



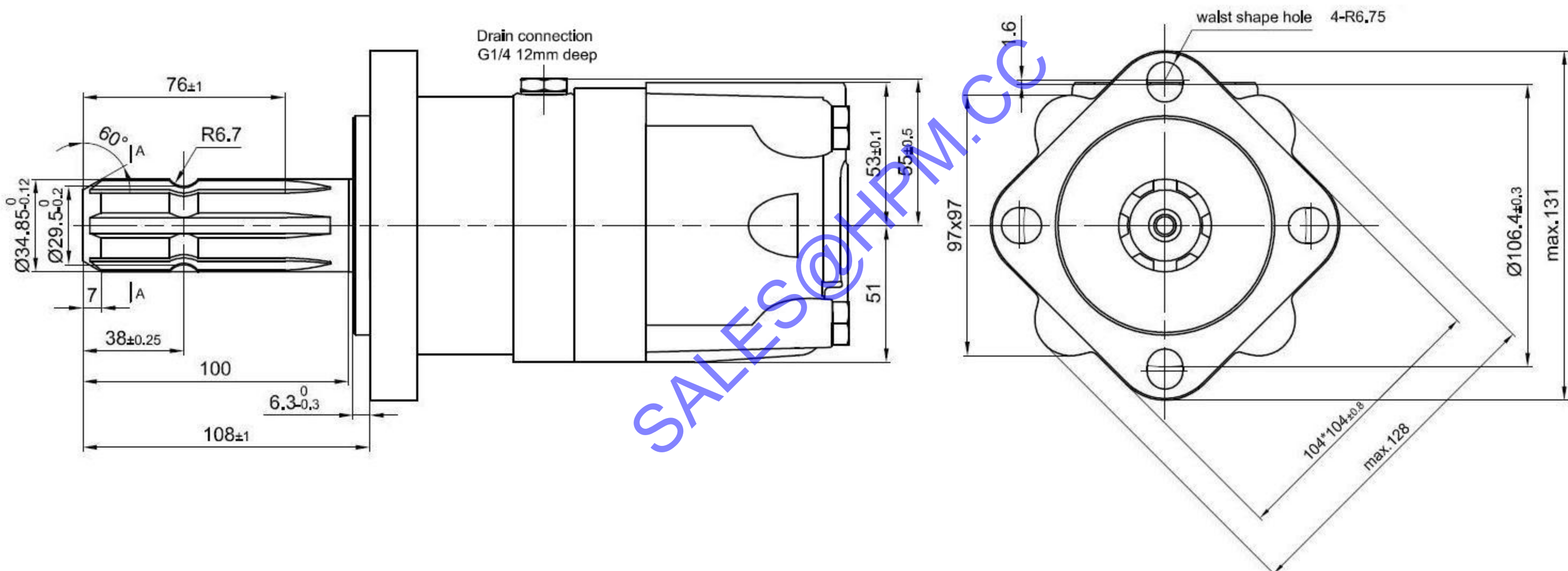
Popular model drawing

BMS(Y)-x-E4-T3-S



HPM Model	Danfoss Model	M+S Model	L mm	L1 mm	L2 mm
BMS(Y)-80-E4-T3-S	151F-2214	MLHS-80T4**	170	16	126.5
BMS(Y)-100-E4-T3-S	151F-2215	MLHS-100T4**	174	20	130.5
BMS(Y)-125-E4-T3-S	151F-2216	MLHS-125T4**	179	25	135.5
BMS(Y)-160-E4-T3-S	151F-2217	MLHS-160T4**	181	27	137.5
BMS(Y)-200-E4-T3-S	151F-2218	MLHS-200T4**	188	34	144.5
BMS(Y)-250-E4-T3-S	151F-2219	MLHS-250T4**	196	42	152.5
BMS(Y)-315-E4-T3-S	151F-2220	MLHS-315T4**	208	54	164.5
BMS(Y)-375-E4-T3-S	151F-2264	MLHS-400T4**	223	69	179.5
BMS(Y)-475-E4-T3-S	151F-2270	MLHS-475T4**	237	83	193.5

BMS(Y)-x-E4-SL-D



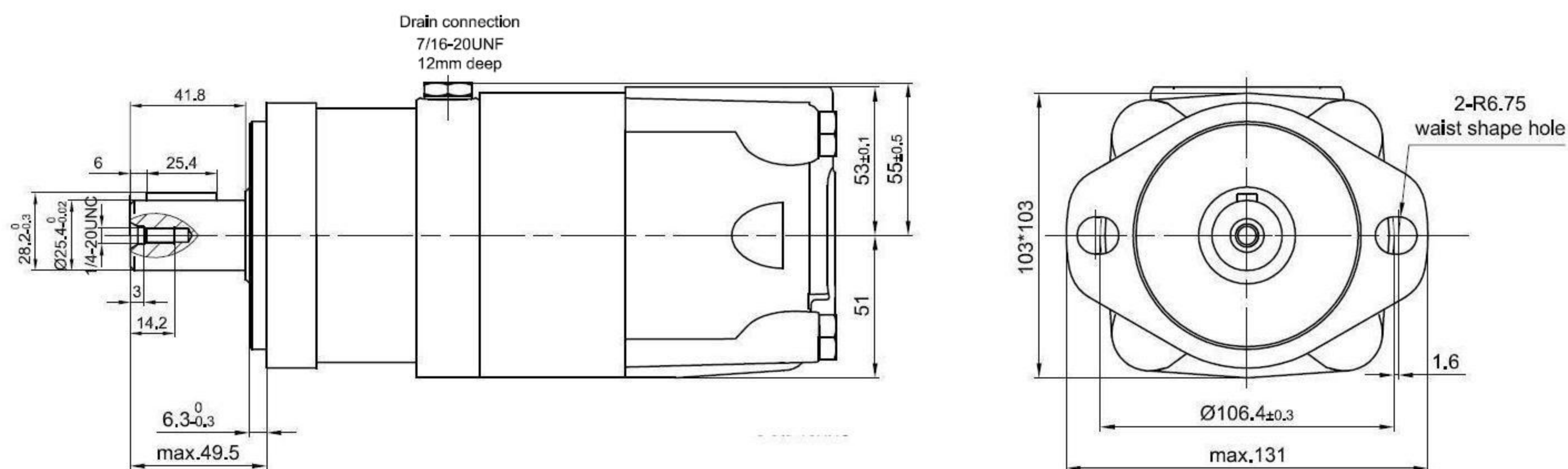
HPM Model	Danfoss Model	M+S Model	L mm	L1 mm	L2 mm
BMS(Y)-80-E4-SL-D	151F-0560	EPMS-80SL**	170	16	126.5
BMS(Y)-100-E4-SL-D	151F-0561	EPMS-100SL**	174	20	130.5
BMS(Y)-125-E4-SL-D	151F-0562	EPMS-125SL**	179	25	135.5
BMS(Y)-160-E4-SL-D	151F-0563	EPMS-160SL**	181	27	137.5
BMS(Y)-200-E4-SL-D	151F-0564	EPMS-200SL**	188	34	144.5
BMS(Y)-250-E4-SL-D	151F-0565	EPMS-250SL**	196	42	152.5
BMS(Y)-315-E4-SL-D	151F-0566	EPMS-315SL**	208	54	164.5
BMS(Y)-375-E4-SL-D		EPMS-400SL**	223	69	179.5
BMS(Y)-475-E4-SL-D			237	83	193.5

BMS Series hydraulic orbit motor



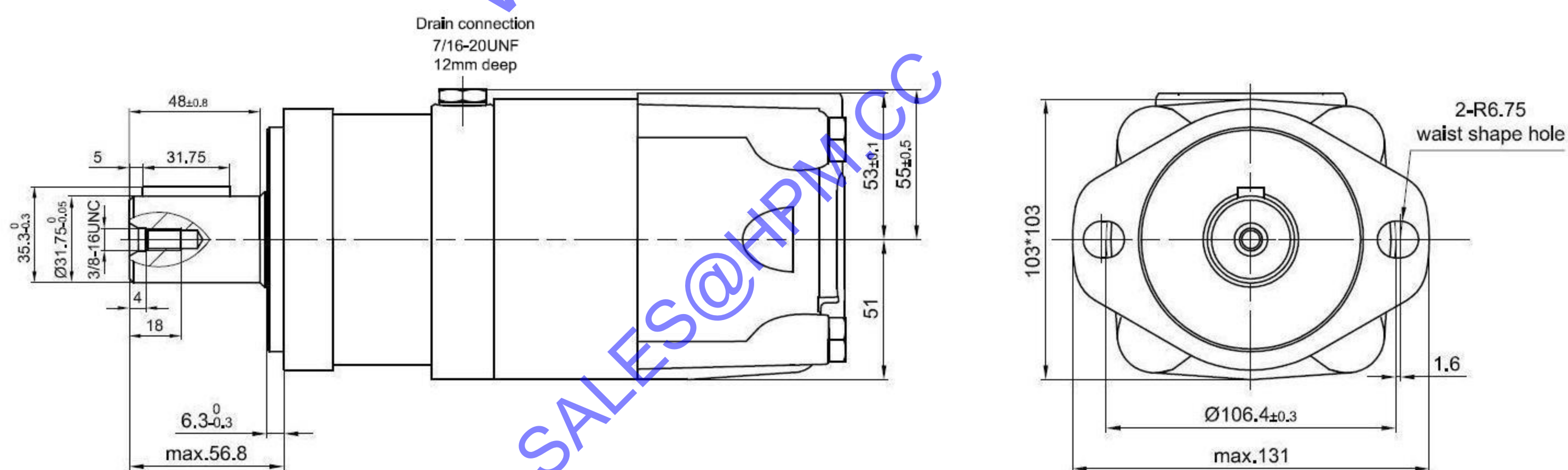
Popular model drawing

BMS(Y)-x-E2-D-S



HPM Model	Danfoss Model	M+S Model	L mm	L1 mm	L2 mm	
BMS(Y)-80-E2-D-S	151F-2300	With Drain Port MLHS-A-80D**	170	16	126.5	
BMS(Y)-100-E2-D-S	151F-2301		MLHS-A-100D**	174	20	130.5
BMS(Y)-125-E2-D-S	151F-2302		MLHS-A-125D**	179	25	135.5
BMS(Y)-160-E2-D-S	151F-2303		MLHS-A-160D**	181	27	137.5
BMS(Y)-200-E2-D-S	151F-2304		MLHS-A-200D**	188	34	144.5
BMS(Y)-250-E2-D-S	151F-2305		MLHS-A-250D**	196	42	152.5
BMS(Y)-315-E2-D-S	151F-2306		MLHS-A-315D**	208	54	164.5
BMS(Y)-375-E2-D-S	151F-2307		MLHS-A-400D**	223	69	179.5
BMS(Y)-475-E2-D-S	151F-2345		MLHS-A-475D**	237	83	193.5

BMS(Y)-x-E2-G-S

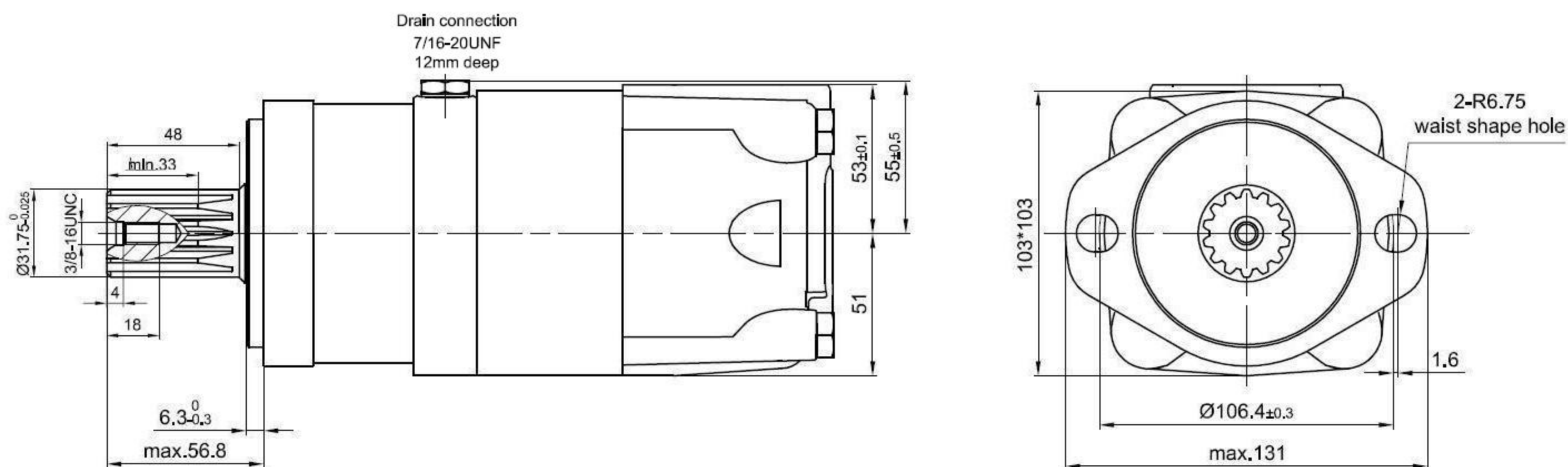


HPM Model	Danfoss Model	M+S Model	L mm	L1 mm	L2 mm	
BMS(Y)-80-E2-G-S	151F-2316	With Drain Port MLHS-A-80C**	170	16	126.5	
BMS(Y)-100-E2-G-S	151F-2317		MLHS-A-100C**	174	20	130.5
BMS(Y)-125-E2-G-S	151F-2318		MLHS-A-125C**	179	25	135.5
BMS(Y)-160-E2-G-S	151F-2319		MLHS-A-160C**	181	27	137.5
BMS(Y)-200-E2-G-S	151F-2320		MLHS-A-200C**	188	34	144.5
BMS(Y)-250-E2-G-S	151F-2321		MLHS-A-250C**	196	42	152.5
BMS(Y)-315-E2-G-S	151F-2322		MLHS-A-315C**	208	54	164.5
BMS(Y)-375-E2-G-S	151F-2323		MLHS-A-400C**	223	69	179.5
BMS(Y)-475-E2-G-S	151F-2347		MLHS-A-475C**	237	83	193.5

BMS Series hydraulic orbit motor

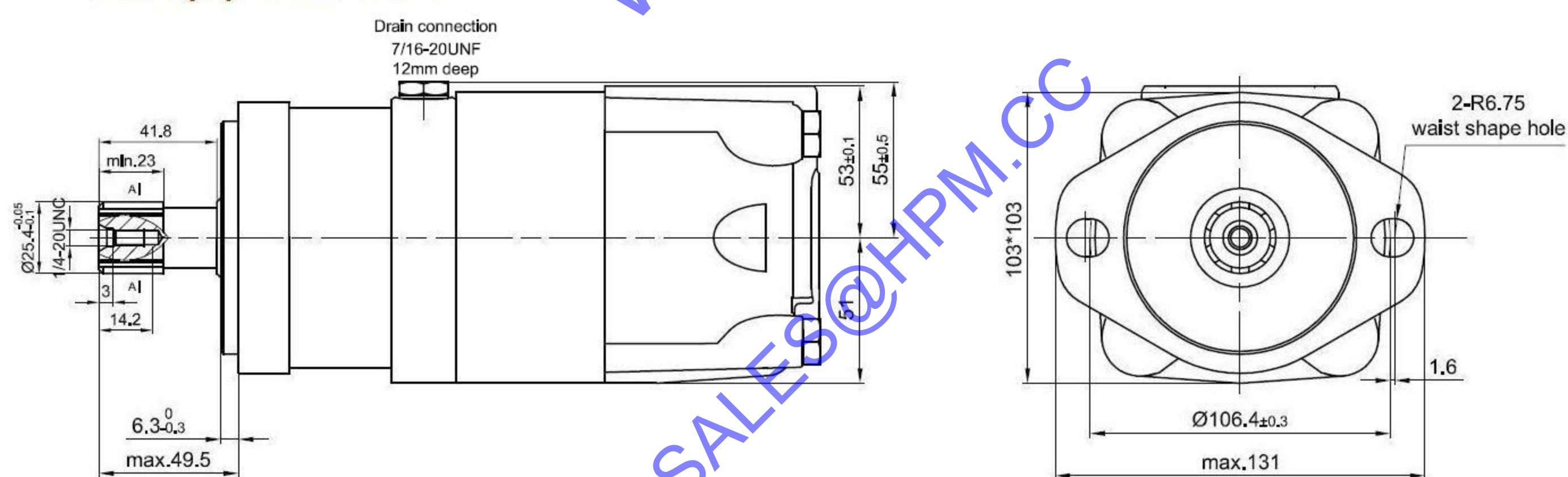
Popular model drawing

BMS(Y)-x-E2-F-S



HPM Model	Danfoss Model	M+S Model	L mm	L1 mm	L2 mm	
BMS(Y)-80-E2-F-S	151F-2324	With Drain Port MLHS-A-80G**	170	16	126.5	
BMS(Y)-100-E2-F-S	151F-2325		MLHS-A-100G**	174	20	130.5
BMS(Y)-125-E2-F-S	151F-2326		MLHS-A-125G**	179	25	135.5
BMS(Y)-160-E2-F-S	151F-2327		MLHS-A-160G**	181	27	137.5
BMS(Y)-200-E2-F-S	151F-2328		MLHS-A-200G**	188	34	144.5
BMS(Y)-250-E2-F-S	151F-2329		MLHS-A-250G**	196	42	152.5
BMS(Y)-315-E2-F-S	151F-2330		MLHS-A-315G**	208	54	164.5
BMS(Y)-375-E2-F-S	151F-2331		MLHS-A-400G**	223	69	179.5
BMS(Y)-475-E2-F-S	151F-2348		MLHS-A-475G**	237	83	193.5

BMS(Y)-x-E2-S1-S



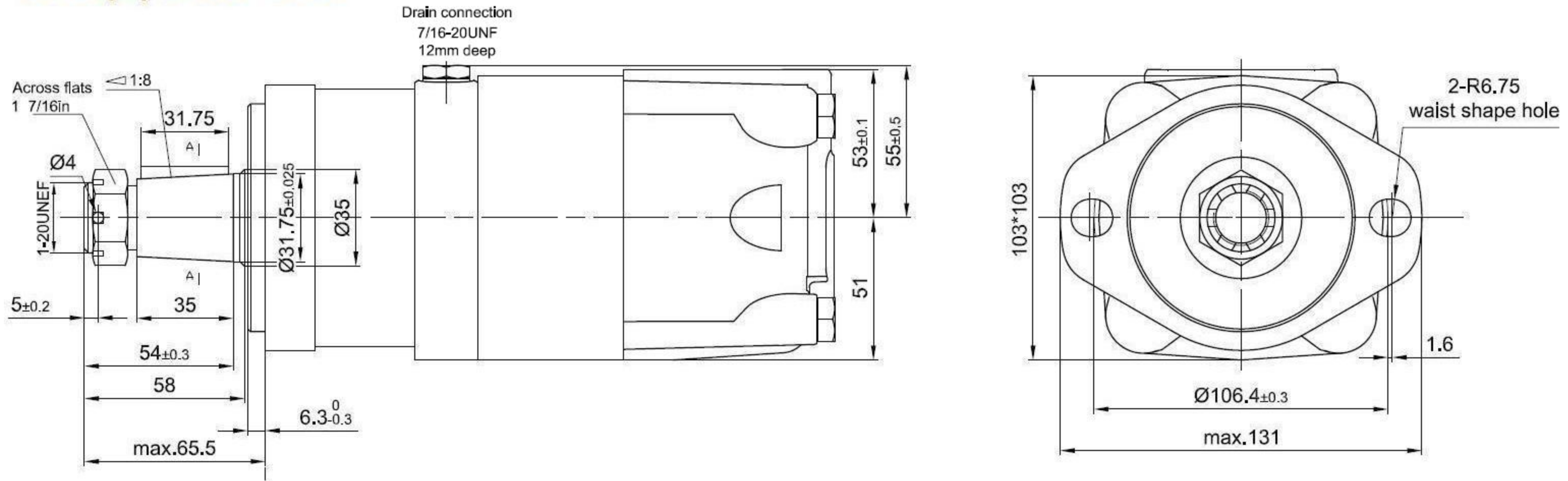
HPM Model	Danfoss Model	M+S Model	L mm	L1 mm	L2 mm	
BMS(Y)-80-E2-S1-S	151F-2308	With Drain Port MLHS-A-80S**	170	16	126.5	
BMS(Y)-100-E2-S1-S	151F-2309		MLHS-A-100S**	174	20	130.5
BMS(Y)-125-E2-S1-S	151F-2310		MLHS-A-125S**	179	25	135.5
BMS(Y)-160-E2-S1-S	151F-2311		MLHS-A-160S**	181	27	137.5
BMS(Y)-200-E2-S1-S	151F-2312		MLHS-A-200S**	188	34	144.5
BMS(Y)-250-E2-S1-S	151F-2313		MLHS-A-250S**	196	42	152.5
BMS(Y)-315-E2-S1-S	151F-2314		MLHS-A-315S**	208	54	164.5
BMS(Y)-375-E2-S1-S	151F-2315		MLHS-A-400S**	223	69	179.5
BMS(Y)-475-E2-S1-S	151F-2346		MLHS-A-475S**	237	83	193.5

BMS Series hydraulic orbit motor



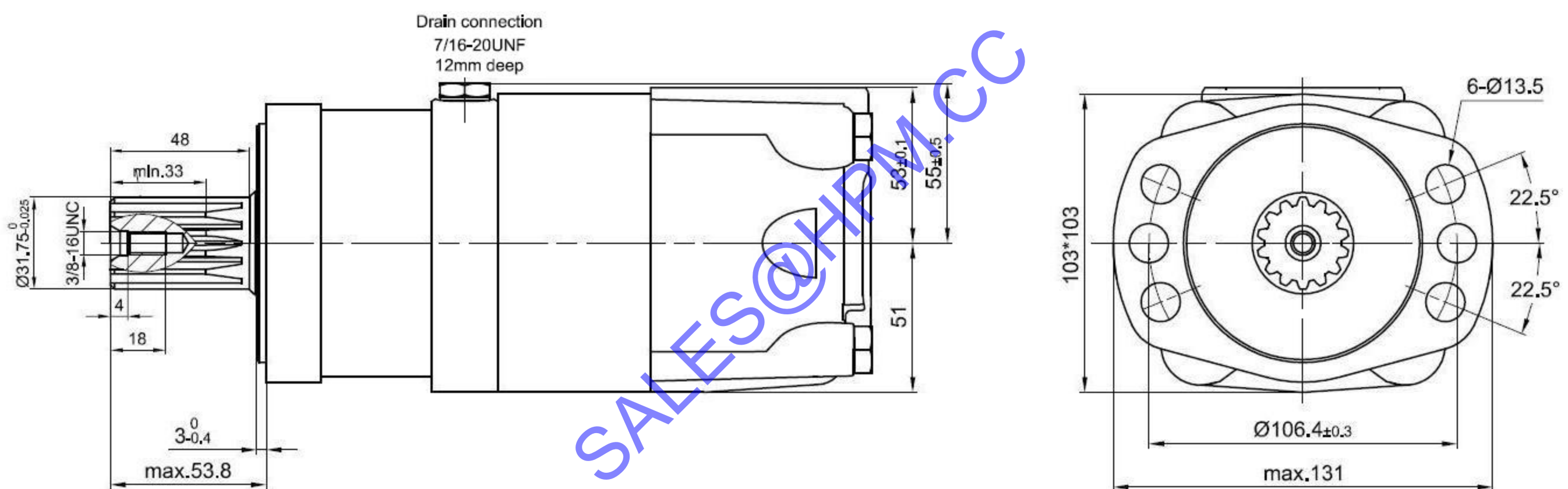
Popular model drawing

BMS(Y)-x-E2-T3-S



HPM Model	Danfoss Model	M+S Model	L mm	L1 mm	L2 mm
BMS(Y)-80-E2-T3-S	151F-2332	MLHS-A-80T**	170	16	126.5
BMS(Y)-100-E2-T3-S	151F-2333	MLHS-A-100T**	174	20	130.5
BMS(Y)-125-E2-T3-S	151F-2334	MLHS-A-125T**	179	25	135.5
BMS(Y)-160-E2-T3-S	151F-2335	MLHS-A-160T**	181	27	137.5
BMS(Y)-200-E2-T3-S	151F-2336	MLHS-A-200T**	188	34	144.5
BMS(Y)-250-E2-T3-S	151F-2337	MLHS-A-250T**	196	42	152.5
BMS(Y)-315-E2-T3-S	151F-2338	MLHS-A-315T**	208	54	164.5
BMS(Y)-375-E2-T3-S	151F-2339	MLHS-A-400T**	223	69	179.5
BMS(Y)-475-E2-T3-S	151F-2349	MLHS-A-475T**	237	83	193.5

BMS(Y)-x-F6-F-S



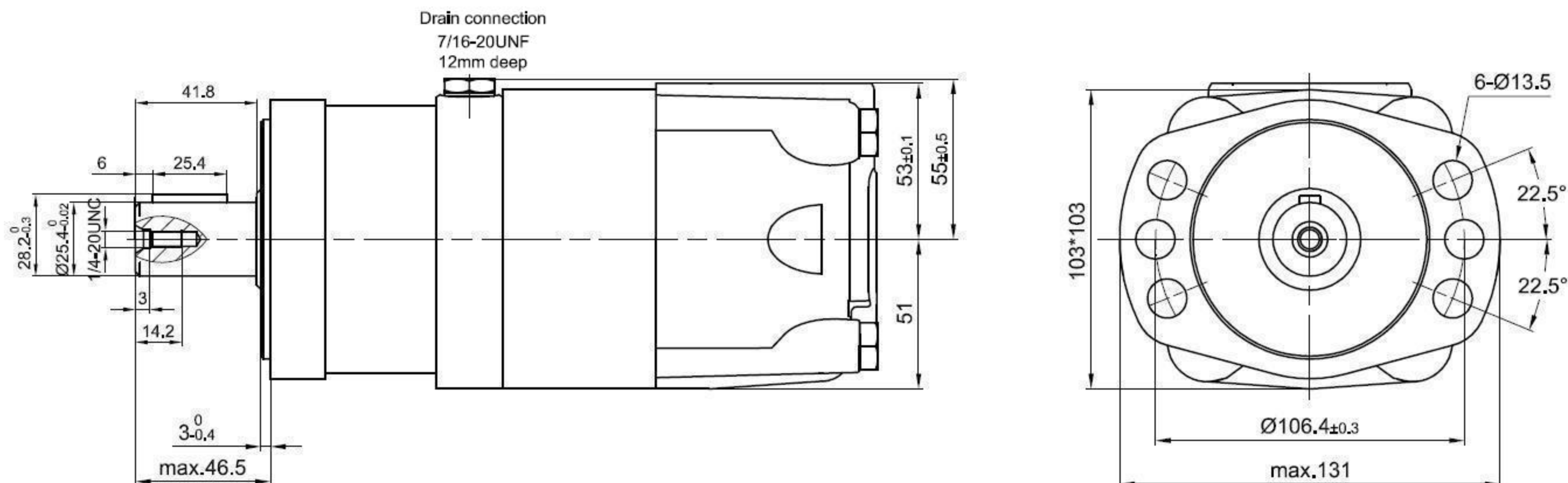
HPM Model	Danfoss Model	M+S Model	L mm	L1 mm	L2 mm
BMS(Y)-80-E2-T3-S	151F-2332	MLHS-A-80T**	170	16	126.5
BMS(Y)-100-E2-T3-S	151F-2333	MLHS-A-100T**	174	20	130.5
BMS(Y)-125-E2-T3-S	151F-2334	MLHS-A-125T**	179	25	135.5
BMS(Y)-160-E2-T3-S	151F-2335	MLHS-A-160T**	181	27	137.5
BMS(Y)-200-E2-T3-S	151F-2336	MLHS-A-200T**	188	34	144.5
BMS(Y)-250-E2-T3-S	151F-2337	MLHS-A-250T**	196	42	152.5
BMS(Y)-315-E2-T3-S	151F-2338	MLHS-A-315T**	208	54	164.5
BMS(Y)-375-E2-T3-S	151F-2339	MLHS-A-400T**	223	69	179.5
BMS(Y)-475-E2-T3-S	151F-2349	MLHS-A-475T**	237	83	193.5

BMS Series hydraulic orbit motor



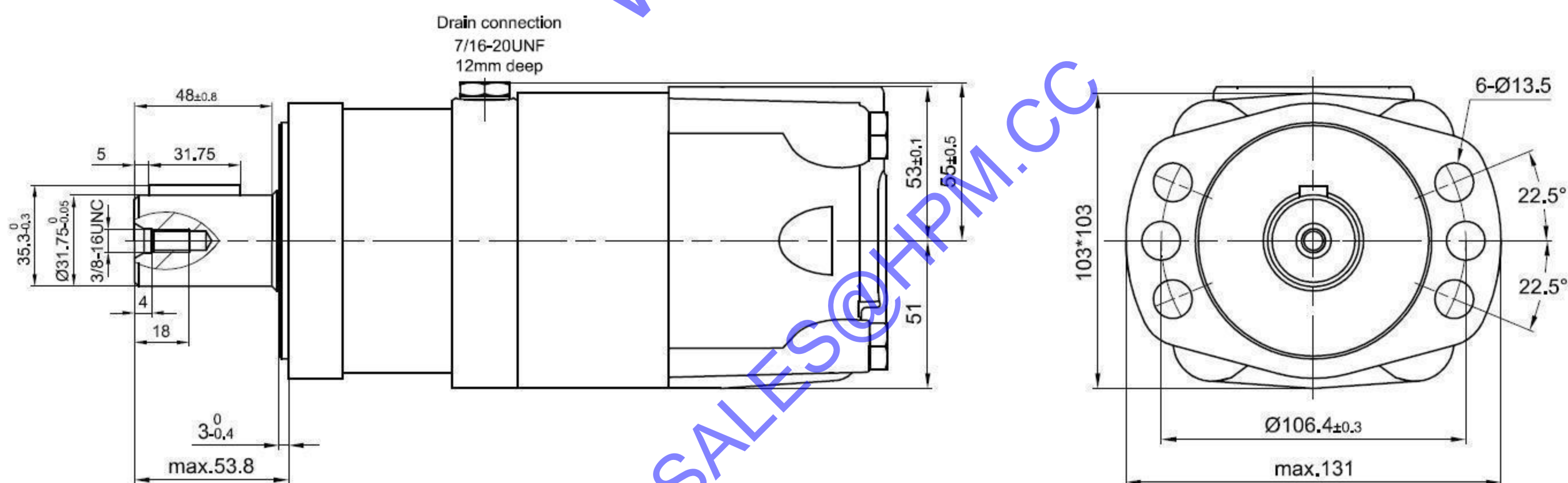
Popular model drawing

BMS(Y)-x-F6-D-S



HPM Model	Danfoss Model	M+S Model	L mm	L1 mm	L2 mm
BMS(Y)-80-F6-D-S	151F-2377	MLHS-F80D**	170	16	126.5
BMS(Y)-100-F6-D-S	151F-2378	MLHS-F100D**	174	20	130.5
BMS(Y)-125-F6-D-S	151F-2379	MLHS-F125D**	179	25	135.5
BMS(Y)-160-F6-D-S	151F-2380	MLHS-F160D**	181	27	137.5
BMS(Y)-200-F6-D-S	151F-2381	MLHS-F200D**	188	34	144.5
BMS(Y)-250-F6-D-S	151F-2382	MLHS-F250D**	196	42	152.5
BMS(Y)-315-F6-D-S	151F-2383	MLHS-F315D**	208	54	164.5
BMS(Y)-375-F6-D-S	151F-2384	MLHS-F400D**	223	69	179.5
BMS(Y)-475-F6-D-S	151F-2385				

BMS(Y)-x-F6-G-S



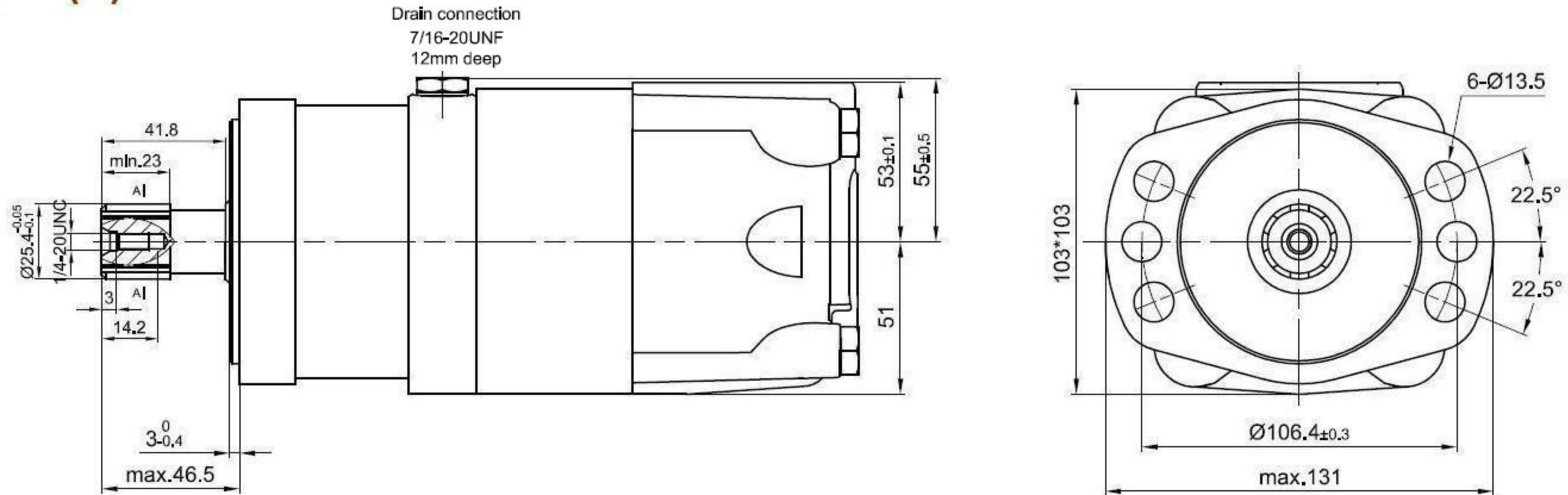
HPM Model	Danfoss Model	M+S Model	L mm	L1 mm	L2 mm
BMS(Y)-80-F6-G-S	151F-2368	MLHS-F80C**	170	16	126.5
BMS(Y)-100-F6-G-S	151F-2369	MLHS-F100C**	174	20	130.5
BMS(Y)-125-F6-G-S	151F-2370	MLHS-F125C**	179	25	135.5
BMS(Y)-160-F6-G-S	151F-2371	MLHS-F160C**	181	27	137.5
BMS(Y)-200-F6-G-S	151F-2372	MLHS-F200C**	188	34	144.5
BMS(Y)-250-F6-G-S	151F-2373	MLHS-F250C**	196	42	152.5
BMS(Y)-315-F6-G-S	151F-2374	MLHS-F315C**	208	54	164.5
BMS(Y)-375-F6-G-S	151F-2375	MLHS-F400C**	223	69	179.5
BMS(Y)-475-F6-G-S	151F-2376				

BMS Series hydraulic orbit motor



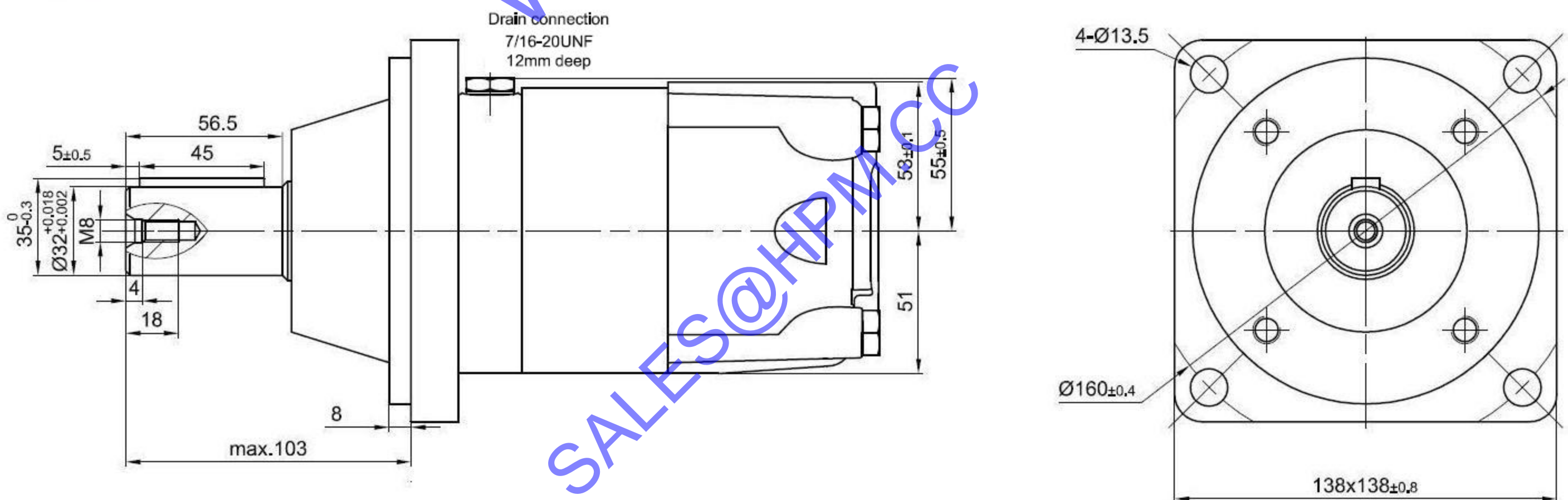
Popular model drawing

BMS(Y)-x-F6-S1-S



HPM Model	Danfoss Model	M+S Model	L mm	L1 mm	L2 mm	
BMS(Y)-80-F6-S1-S	151F-2359	With Drain Port MLHS-F80S**	170	16	126.5	
BMS(Y)-100-F6-S1-S	151F-2360		MLHS-F100S**	174	20	130.5
BMS(Y)-125-F6-S1-S	151F-2361		MLHS-F125S**	179	25	135.5
BMS(Y)-160-F6-S1-S	151F-2362		MLHS-F160S**	181	27	137.5
BMS(Y)-200-F6-S1-S	151F-2363		MLHS-F200S**	188	34	144.5
BMS(Y)-250-F6-S1-S	151F-2364		MLHS-F250S**	196	42	152.5
BMS(Y)-315-F6-S1-S	151F-2365		MLHS-F315S**	208	54	164.5
BMS(Y)-375-F6-S1-S	151F-2366		MLHS-F400S**	223	69	179.5
BMS(Y)-475-F6-S1-S	151F-2367					

BMS(Y)-x-W-B-D



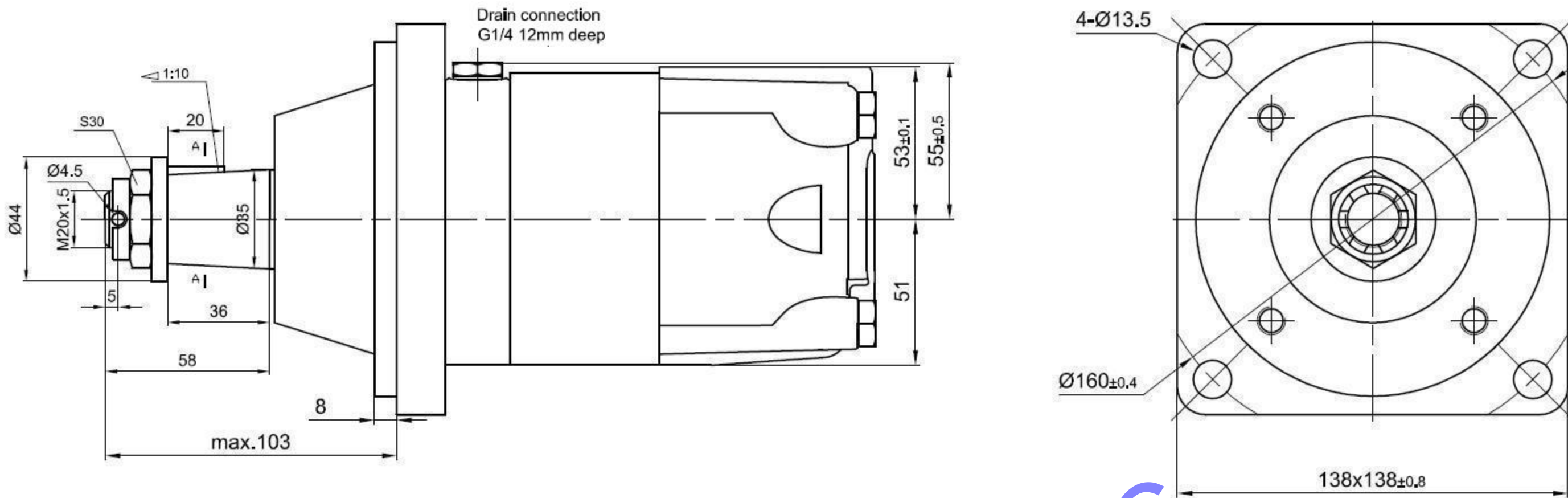
HPM Model	Danfoss Model	M+S Model	L mm	L1 mm	L2 mm	
BMS(Y)-80-W-B-D	151F-0521	With Drain Port EPMS-W80C**	132.5	16	89	
BMS(Y)-100-W-B-D	151F-0522		EPMS-W100C**	136.5	20	93
BMS(Y)-125-W-B-D	151F-0523		EPMS-W125C**	141.5	25	98
BMS(Y)-160-W-B-D	151F-0524		EPMS-W160C**	143.5	27	100
BMS(Y)-200-W-B-D	151F-0525		EPMS-W200C**	150.5	34	107
BMS(Y)-250-W-B-D	151F-0526		EPMS-W250C**	158.5	42	115
BMS(Y)-315-W-B-D	151F-0527		EPMS-W315C**	170.5	54	127
BMS(Y)-375-W-B-D	151F-0610		EPMS-W400C**	185.5	69	142

BMS Series hydraulic orbit motor



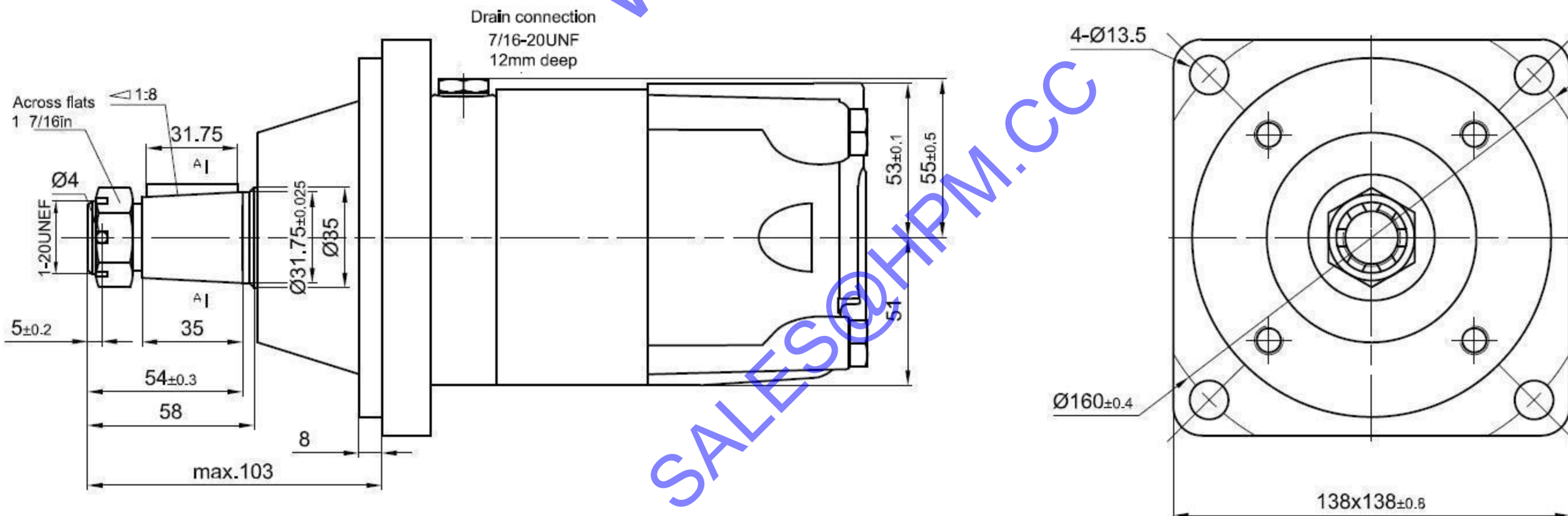
Popular model drawing

BMS(Y)-x-W-T1-D



HPM Model	Danfoss Model	M+S Model	L mm	L1 mm	L2 mm	
BMS(Y)-80-W-T1-D	151F-0528	With Drain Port EPMS-W80K**	132.5	16	89	
BMS(Y)-100-W-T1-D	151F-0529		EPMS-W100K**	136.5	20	93
BMS(Y)-125-W-T1-D	151F-0530		EPMS-W125K**	141.5	25	98
BMS(Y)-160-W-T1-D	151F-0531		EPMS-W160K**	143.5	27	100
BMS(Y)-200-W-T1-D	151F-0532		EPMS-W200K**	150.5	34	107
BMS(Y)-250-W-T1-D	151F-0533		EPMS-W250K**	158.5	42	115
BMS(Y)-315-W-T1-D	151F-0534		EPMS-W315K**	170.5	54	127
BMS(Y)-375-W-T1-D	151F-0609		EPMS-W400K**	185.5	69	142

BMS(Y)-x-W-T3-S



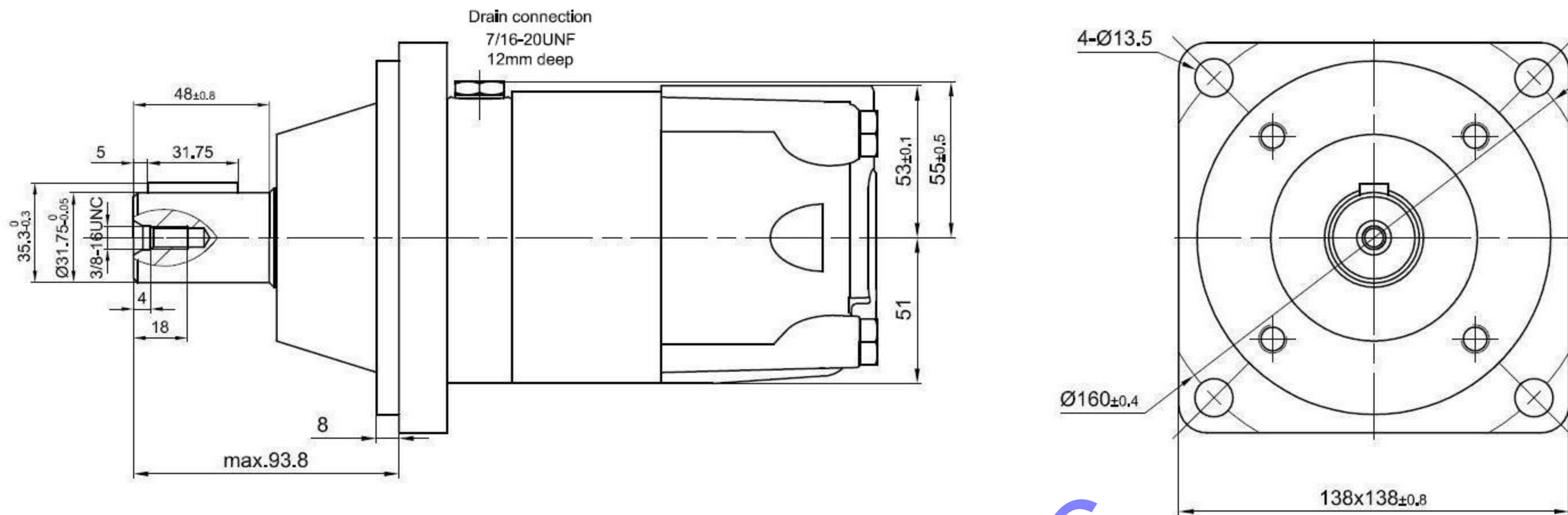
HPM Model	Danfoss Model	M+S Model	L mm	L1 mm	L2 mm	
BMS(Y)-80-W-T3-S	151F-2242	With Drain Port MLHS-W80T4**	132.5	16	89	
BMS(Y)-100-W-T3-S	151F-2243		MLHS-W100T4**	136.5	20	93
BMS(Y)-125-W-T3-S	151F-2244		MLHS-W125T4**	141.5	25	98
BMS(Y)-160-W-T3-S	151F-2245		MLHS-W160T4**	143.5	27	100
BMS(Y)-200-W-T3-S	151F-2246		MLHS-W200T4**	150.5	34	107
BMS(Y)-250-W-T3-S	151F-2247		MLHS-W250T4**	158.5	42	115
BMS(Y)-315-W-T3-S	151F-2248		MLHS-W315T4**	170.5	54	127
BMS(Y)-375-W-T3-S	151F-2263		MLHS-W400T4**	185.5	69	142
BMS(Y)-475-W-T3-S	151F-2267		MLHS-W475T4**	199.5	83	156

BMS Series hydraulic orbit motor



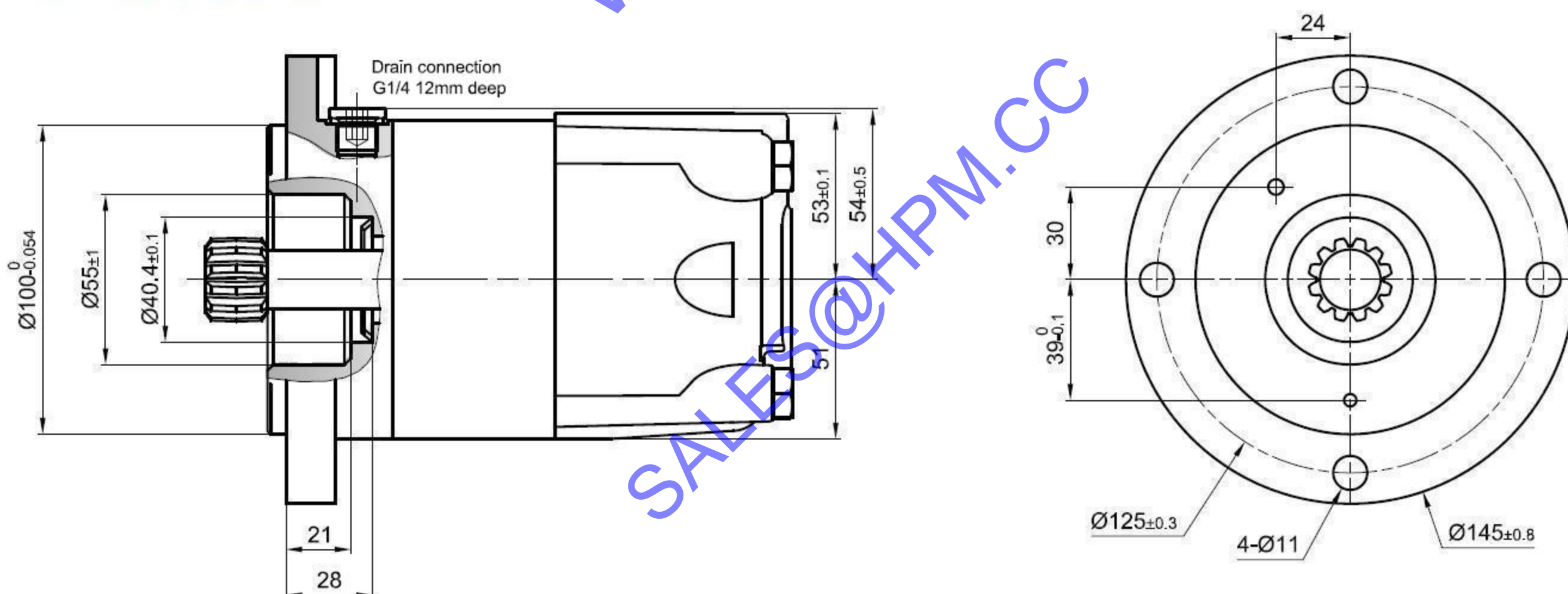
Popular model drawing

BMS(Y)-x-W-G-S



HPM Model	Danfoss Model	M+S Model	L mm	L1 mm	L2 mm
BMS(Y)-80-W-G-S	151F-2235	With Drain Port MLHS-W80C4**	132.5	16	89
BMS(Y)-100-W-G-S	151F-2236		136.5	20	93
BMS(Y)-125-W-G-S	151F-2237		141.5	25	98
BMS(Y)-160-W-G-S	151F-2238		143.5	27	100
BMS(Y)-200-W-G-S	151F-2239		150.5	34	107
BMS(Y)-250-W-G-S	151F-2240		158.5	42	115
BMS(Y)-315-W-G-S	151F-2241		170.5	54	127
BMS(Y)-375-W-G-S	151F-2265		185.5	69	142
BMS(Y)-475-W-G-S	151F-2266		199.5	83	156

BMS(Y)-x-D-D



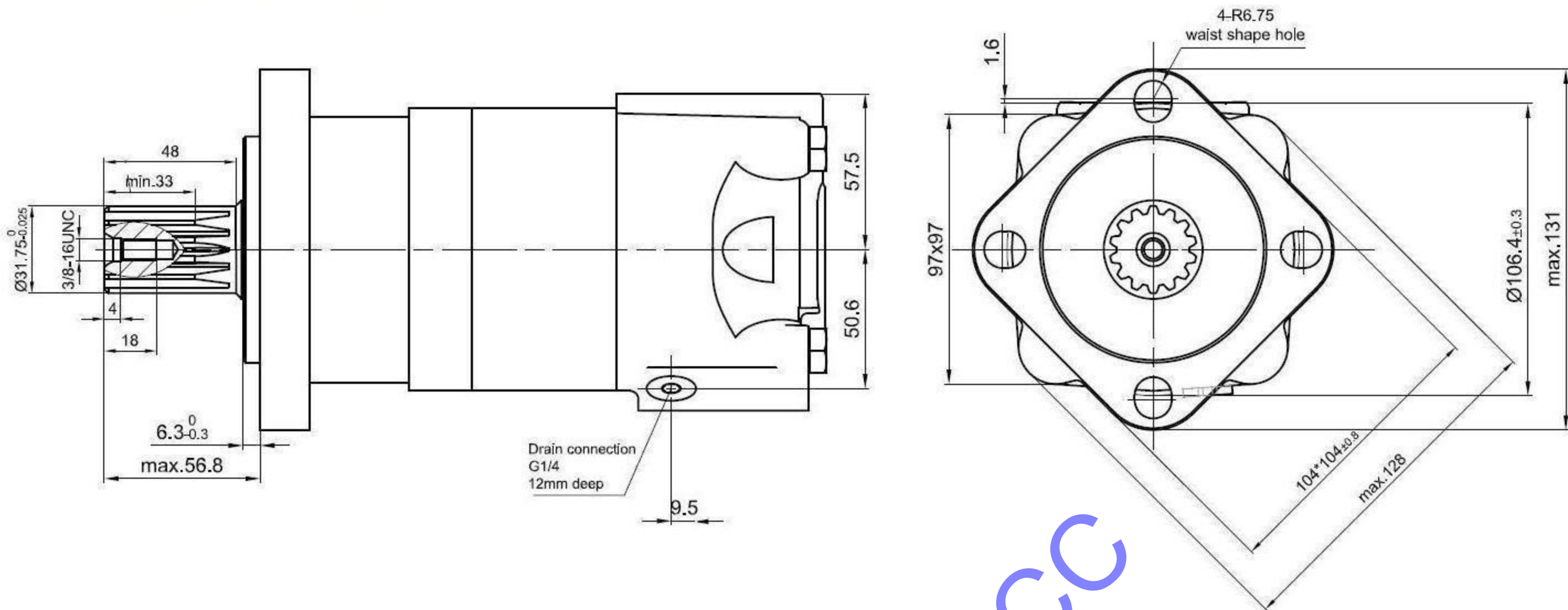
HPM Model	Danfoss Model	M+S Model	L mm	L1 mm	L2 mm	
BMSS-80-D-D	151F-0535	With Drain Port EPMS-S80**	129	16	85	
BMSS-100-D-D	151F-0536		EPMS-S100**	133	20	89
BMSS-125-D-D	151F-0537		EPMS-S125**	138	25	94
BMSS-160-D-D	151F-0538		EPMS-S160**	140	27	96
BMSS-200-D-D	151F-0539		EPMS-S200**	147	34	103
BMSS-250-D-D	151F-0540		EPMS-S250**	155	42	111
BMSS-315-D-D	151F-0541		EPMS-S315**	167	54	123
BMSS-375-D-D	151F-0608		EPMS-S400**	182	69	138
BMSS-475-D-D				196	83	152

BMS Series hydraulic orbit motor



Popular model drawing

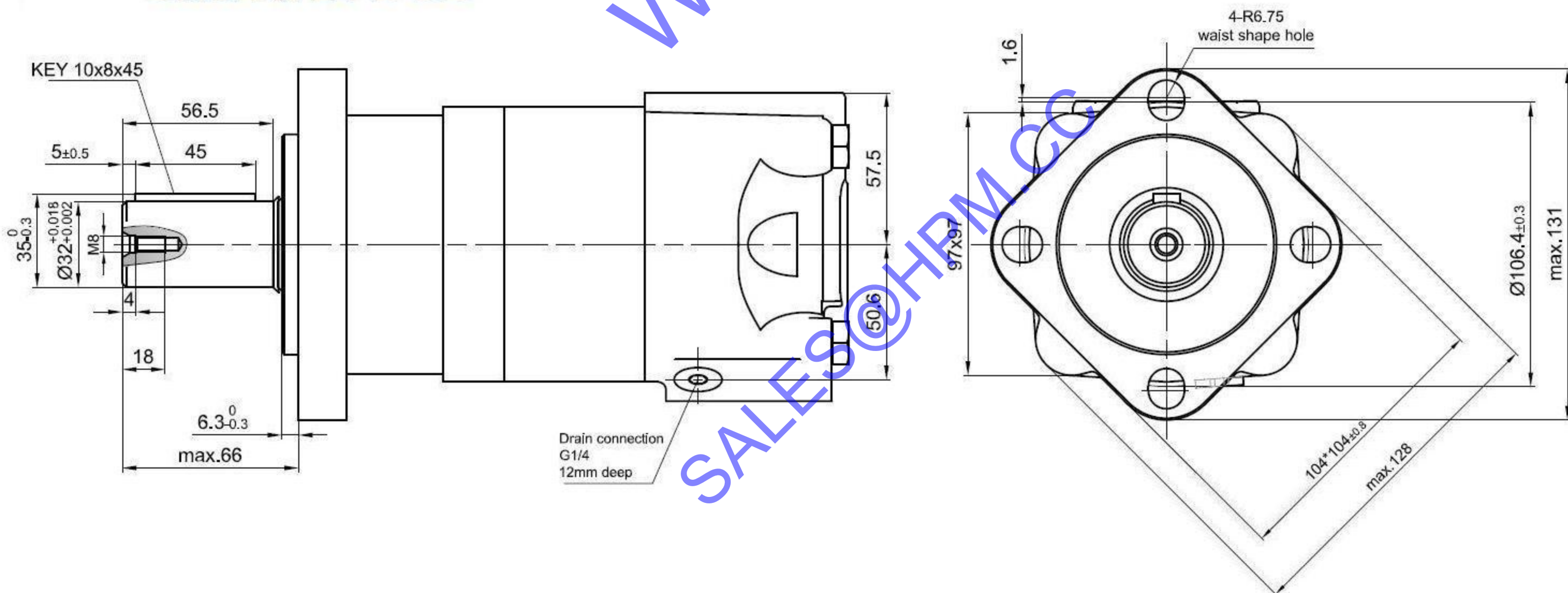
BMSE-x-E4-F-DB



HPM Model	Eaton Model	L mm	L1 mm	L2 mm
BMSE-80-E4-F-DB	104-1376 (M02049AH04AG)	171	13	123.2
BMSE-100-E4-F-DB	104-1377 (M02062AH04AG)	175	17	127.2
BMSE-125-E4-F-DB	104-1378 (M02080AH04AG)	180	22	132.2
BMSE-160-E4-F-DB	104-1379 (M02096AH04AG)	185.5	27.5	137.7
BMSE-200-E4-F-DB	104-1380 (M02119AH04AG)	193	35.1	145.2
BMSE-250-E4-F-DB	104-1381 (M02149AH04AG)	205	47	157.2
BMSE-315-E4-F-DB	104-1382 (M02187AH04AG)	217	59	169.2
BMSE-375-E4-F-DB	104-1383 (M02240AH04AG)	229	71	181.2

With Drain Port

BMSE-x-E4-B-DB



HPM Model	Eaton Model	L mm	L1 mm	L2 mm
BMSE-80-E4-B-DB	104-1384 (M02049AH16AG)	171	13	123.2
BMSE-100-E4-B-DB	104-1385 (M02062AH16AG)	175	17	127.2
BMSE-125-E4-B-DB	104-1386 (M02080AH16AG)	180	22	132.2
BMSE-160-E4-B-DB	104-1387 (M02096AH16AG)	185.5	27.5	137.7
BMSE-200-E4-B-DB	104-1388 (M02119AH16AG)	193	35.1	145.2
BMSE-250-E4-B-DB	104-1389 (M02149AH16AG)	205	47	157.2
BMSE-315-E4-B-DB	104-1390 (M02187AH16AG)	217	59	169.2
BMSE-375-E4-B-DB	104-1391 (M02240AH16AG)	229	71	181.2

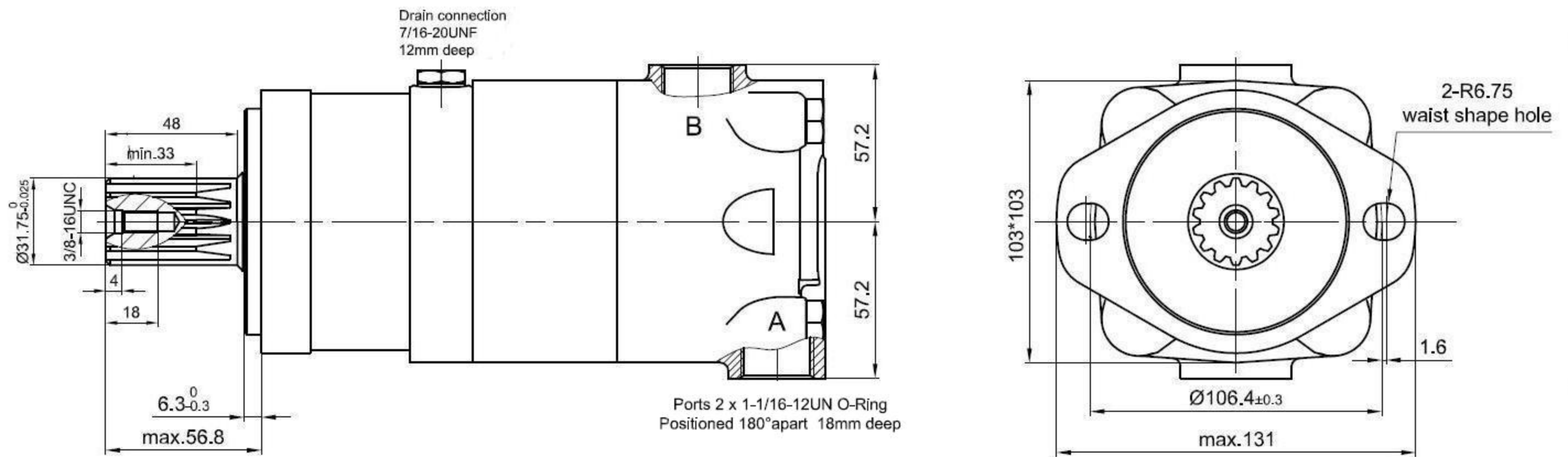
With Drain Port

BMS Series hydraulic orbit motor



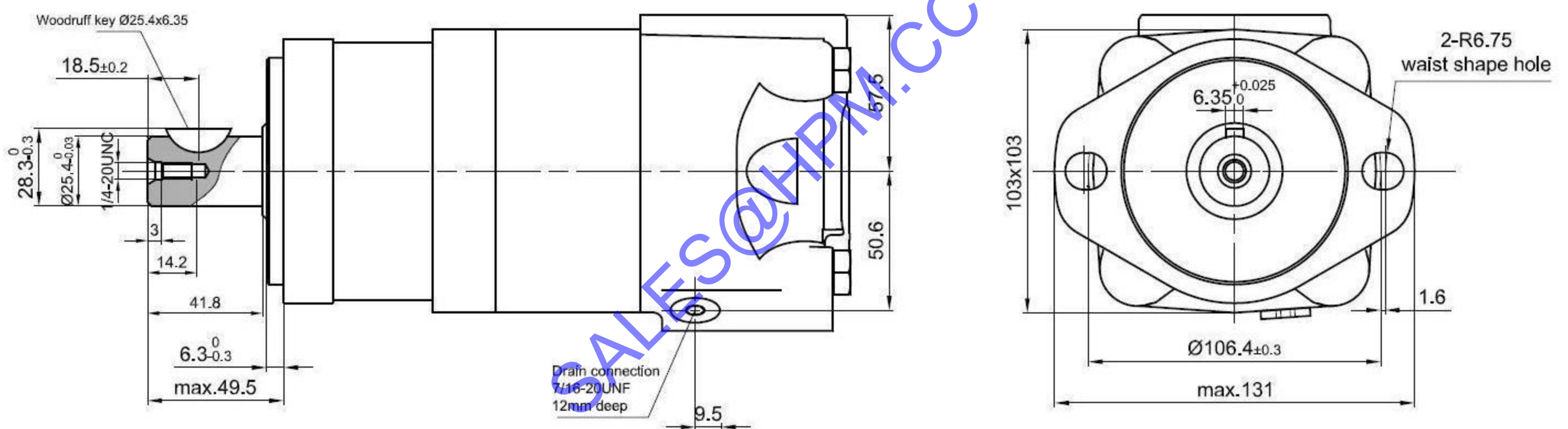
Popular model drawing

BMSE-x-E2-F-ED



HPM Model	Eaton Model		L mm	L1 mm	L2 mm
BMSE-80-E2-F-ED	104-1087 (M02049AC04AF)	With Drain Port	171	13	123.2
BMSE-100-E2-F-ED	104-1088 (M02062AC04AF)		175	17	127.2
BMSE-125-E2-F-ED	104-1089 (M02080AC04AF)		180	22	132.2
BMSE-160-E2-F-ED	104-1090 (M02096AC04AF)		185.5	27.5	137.7
BMSE-200-E2-F-ED	104-1091 (M02119AC04AF)		193	35.1	145.2
BMSE-250-E2-F-ED	104-1092 (M02149AC04AF)		205	47	157.2
BMSE-315-E2-F-ED	104-1093 (M02187AC04AF)		217	59	169.2
BMSE-375-E2-F-ED	104-1094 (M02240AC04AF)		229	71	181.2

BMSE-x-E2-K-SU



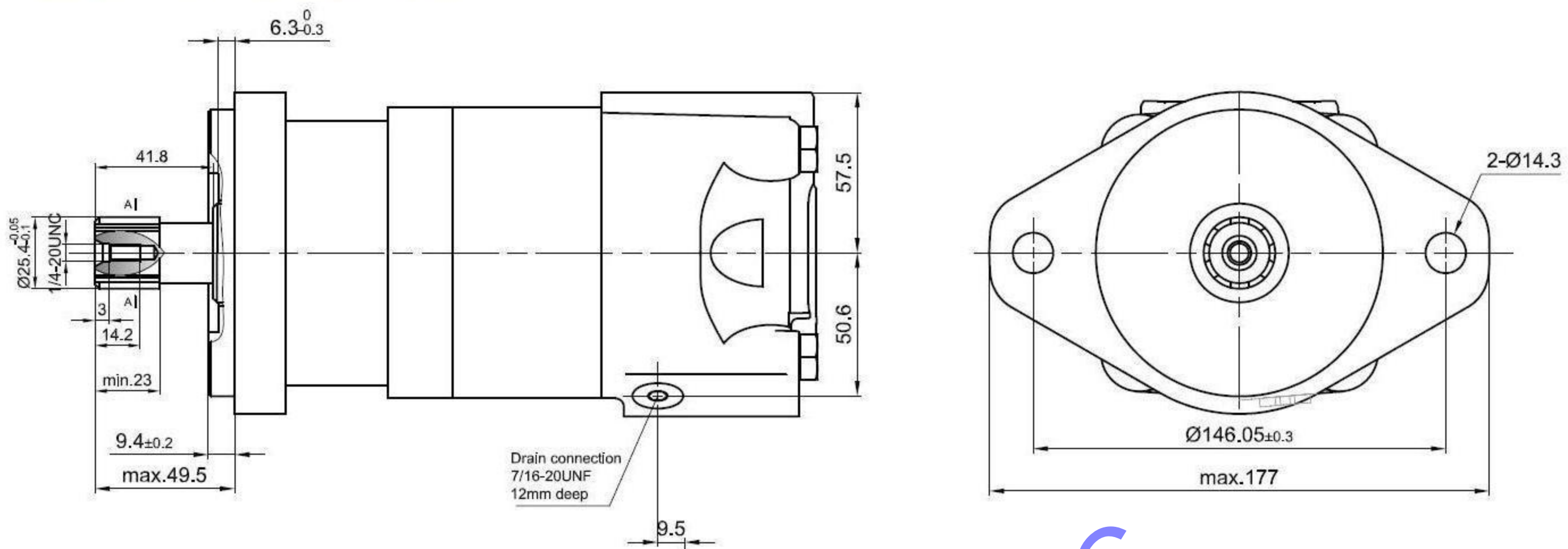
HPM Model	Eaton Model		L mm	L1 mm	L2 mm
BMSE-80-E2-K-SU	104-1001 (M02049AC01AA)	With Drain Port	171	13	123.2
BMSE-100-E2-K-SU	104-1002 (M02062AC01AA)		175	17	127.2
BMSE-125-E2-K-SU	104-1003 (M02080AC01AA)		180	22	132.2
BMSE-160-E2-K-SU	104-1004 (M02096AC01AA)		185.5	27.5	137.7
BMSE-200-E2-K-SU	104-1005 (M02119AC01AA)		193	35.1	145.2
BMSE-250-E2-K-SU	104-1006 (M02149AC01AA)		205	47	157.2
BMSE-315-E2-K-SU	104-1007 (M02187AC01AA)		217	59	169.2
BMSE-375-E2-K-SU	104-1143 (M02240AC01AA)		229	71	181.2

BMS Series hydraulic orbit motor



Popular model drawing

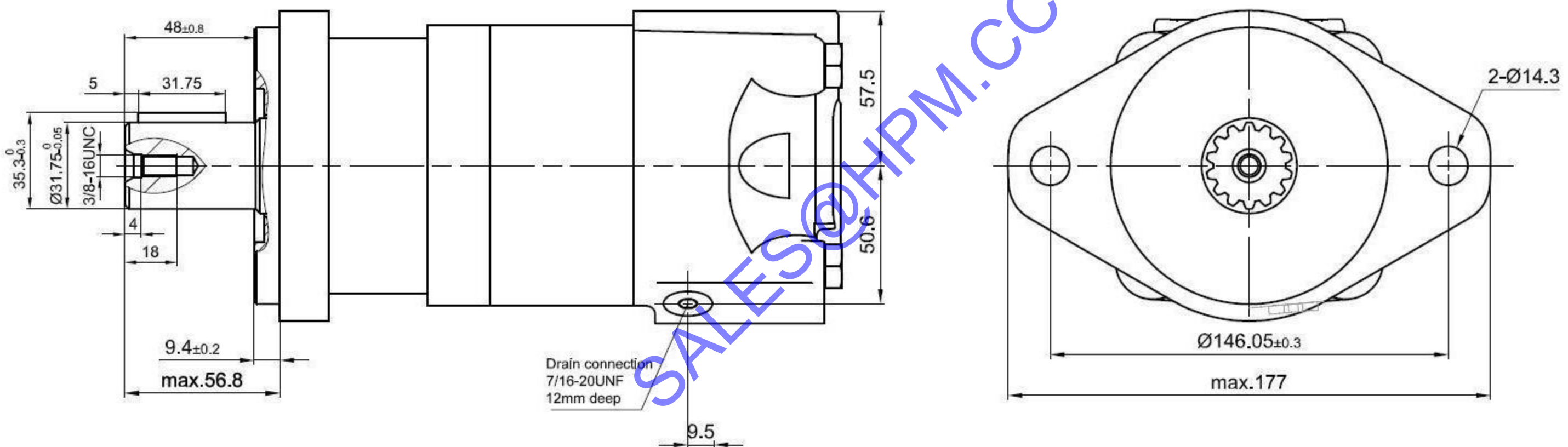
BMSE-x-E2B-S1-SU



HPM Model	Eaton Model	L mm	L1 mm	L2 mm
BMSE-80-E2B-S1-SU	104-1193 (M02049AF05AA)	173	13	125.7
BMSE-100-E2B-S1-SU	104-1194 (M02062AF05AA)	177	17	129.7
BMSE-125-E2B-S1-SU	104-1195 (M02080AF05AA)	182	22	134.7
BMSE-160-E2B-S1-SU	104-1195 (M02096AF05AA)	187.5	27.5	140.2
BMSE-200-E2B-S1-SU	104-1197 (M02119AF05AA)	195	35.1	147.5
BMSE-250-E2B-S1-SU	104-1198 (M02149AF05AA)	207	47	159.5
BMSE-315-E2B-S1-SU	104-1199 (M02187AF05AA)	219	59	171.7
BMSE-375-E2B-S1-SU		231	71	183.7

With Drain Port

BMSE-x-E2B-G-SU



HPM Model	Eaton Model	L mm	L1 mm	L2 mm
BMSE-80-E2B-G-SU	104-1200 (M02049AF02AA)	171	13	123.2
BMSE-100-E2B-G-SU	104-1201 (M02062AF02AA)	175	17	127.2
BMSE-125-E2B-G-SU	104-1202 (M02080AF02AA)	180	22	132.2
BMSE-160-E2B-G-SU	104-1203 (M02096AF02AA)	185.5	27.5	137.7
BMSE-200-E2B-G-SU	104-1204 (M02119AF02AA)	193	35.1	145.2
BMSE-250-E2B-G-SU	104-1205 (M02149AF02AA)	205	47	157.2
BMSE-315-E2B-G-SU	104-1206 (M02187AF02AA)	217	59	169.2
BMSE-375-E2B-G-SU	104-1207 (M02240AF02AA)	229	71	181.2

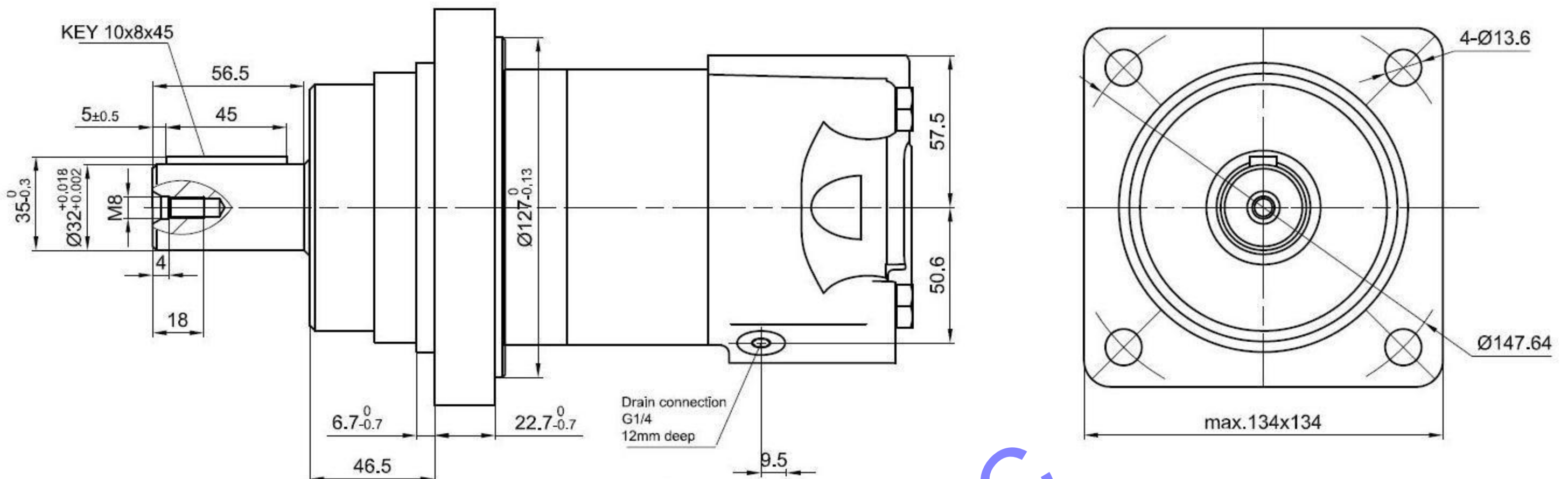
With Drain Port

BMS Series hydraulic orbit motor



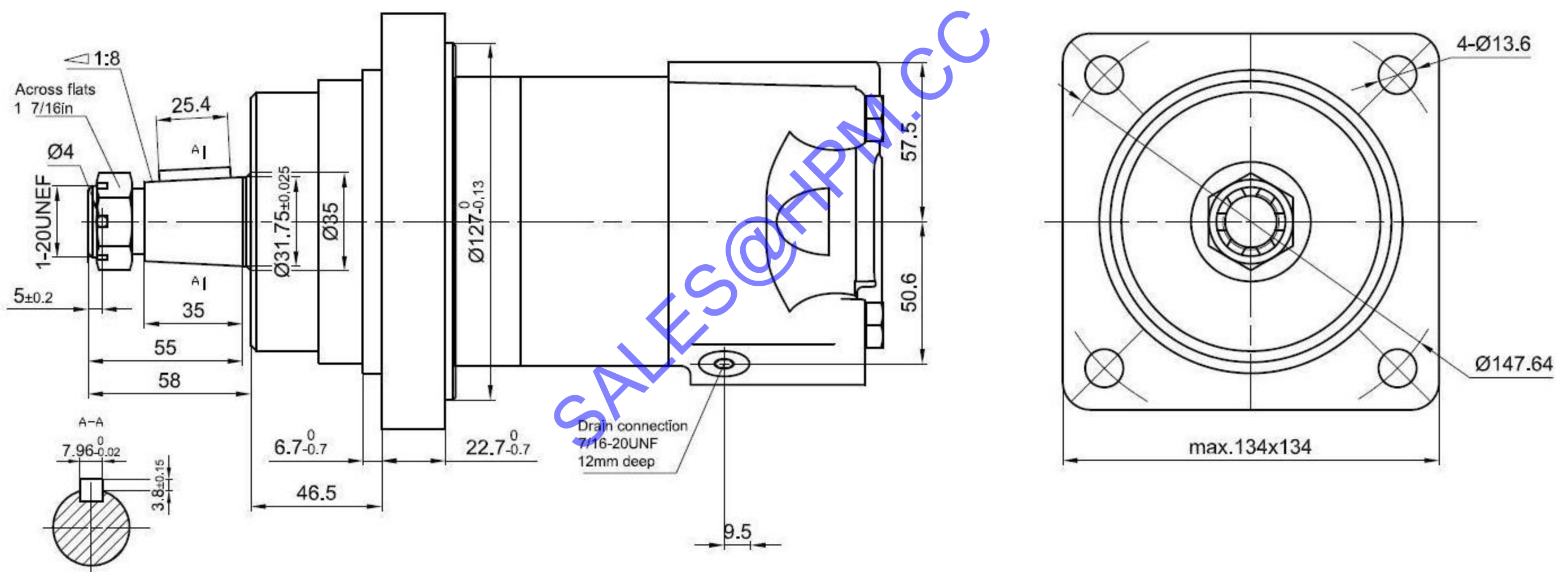
Popular model drawing

BMSE-x-WE-B-DB



HPM Model	Eaton Model	L mm	L1 mm	L2 mm
BMSE-80-WE-B-DB	105-1134 (M02049AB16AG)	145	13	97.5
BMSE-100-WE-B-DB	105-1135 (M02062AB16AG)	149	17	101.5
BMSE-125-WE-B-DB	105-1136 (M02080AB16AG)	154	22	106.5
BMSE-160-WE-B-DB	105-1137 (M02096AB16AG)	159.5	27.5	112
BMSE-200-WE-B-DB	105-1138 (M02119AB16AG)	167	35.1	119.5
BMSE-250-WE-B-DB	105-1139 (M02149AB16AG)	179	47	131.5
BMSE-315-WE-B-DB	105-1140 (M02187AB16AG)	191	59	143.5
BMSE-375-WE-B-DB	105-1141 (M02240AB16AG)	203	71	155.5
BMSE-475-WE-B-DB		223	90	178

BMSE-x-WE-T4-SU



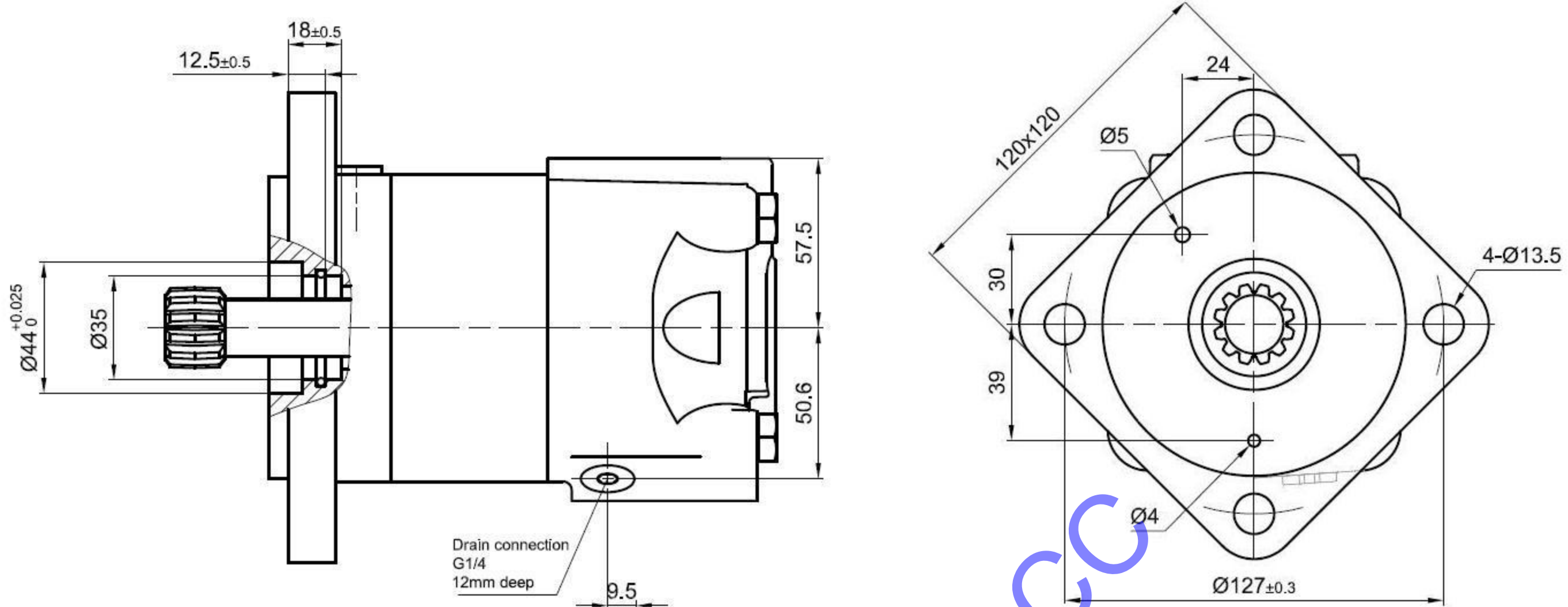
HPM Model	Eaton Model	L mm	L1 mm	L2 mm
BMSE-80-WE-T4-SU	105-1001 (M02049AB03AA)	145	13	97.5
BMSE-100-WE-T4-SU	105-1002 (M02062AB03AA)	149	17	101.5
BMSE-125-WE-T4-SU	105-1003 (M02080AB03AA)	154	22	106.5
BMSE-160-WE-T4-SU	105-1004 (M02096AB03AA)	159.5	27.5	112
BMSE-200-WE-T4-SU	105-1005 (M02119AB03AA)	167	35.1	119.5
BMSE-250-WE-T4-SU	105-1006 (M02149AB03AA)	179	47	131.5
BMSE-315-WE-T4-SU	105-1007 (M02187AB03AA)	191	59	143.5
BMSE-375-WE-T4-SU	105-1060 (M02240AB03AA)	203	71	155.5
BMSE-475-WE-T4-SU	105-1152 (M02298AB03AA)	223	90	178

BMS Series hydraulic orbit motor



Popular model drawing

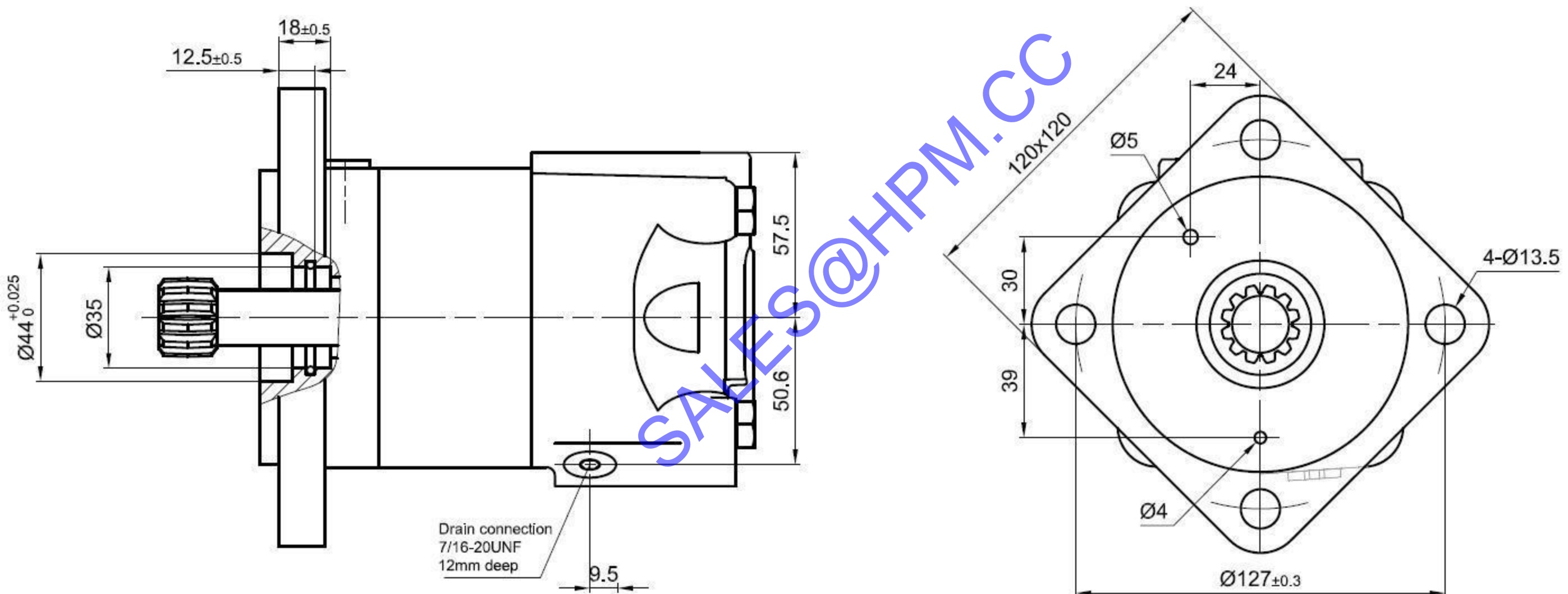
BMSJ-x-J-DB



HPM Model	Eaton Model	L mm	L1 mm	L2 mm
BMSJ-80-J-DB	106-1038 (M02049AD00AG)	134	13	86
BMSJ-100-J-DB	106-1039 (M02062AD00AG)	138	17	90
BMSJ-125-J-DB	106-1040 (M02080AD00AG)	143	22	95
BMSJ-160-J-DB	106-1041 (M02096AD00AG)	148.5	27.5	100.5
BMSJ-200-J-DB	106-1042 (M02119AD00AG)	156	35.1	108
BMSJ-250-J-DB	106-1043 (M02149AD00AG)	168	47	120
BMSJ-315-J-DB	106-1044 (M02187AD00AG)	180	59	132
BMSJ-375-J-DB	106-1045 (M02240AD00AG)	192	71	144

With Drain Port

BMSJ-x-J-SU



HPM Model	Eaton Model	L mm	L1 mm	L2 mm
BMSJ-80-J-SU	106-1008 (M02049AD00AA)	134	13	86
BMSJ-100-J-SU	106-1009 (M02062AD00AA)	138	17	90
BMSJ-125-J-SU	106-1010 (M02080AD00AA)	143	22	95
BMSJ-160-J-SU	106-1011 (M02096AD00AA)	148.5	27.5	100.5
BMSJ-200-J-SU	106-1012 (M02119AD00AA)	156	35.1	108
BMSJ-250-J-SU	106-1013 (M02149AD00AA)	168	47	120
BMSJ-315-J-SU	106-1014 (M02187AD00AA)	180	59	132
BMSJ-375-J-SU	106-1015 (M02240AD00AA)	192	71	144
BMSJ-475-J-SU	106-1047 (M02298AD00AA)	212	90	166

With Drain Port

BMT Series hydraulic orbit motor



BMT-Replace with Danfoss OMT Series, M+S EPMT/ MLHT Series

BMTE-Replace with Eaton 4000 Series M04 Type

BMTS/BMTJ-No Output Shaft Type

Parameters

Type		BMT BMTE- 160	BMT BMTE- 200	BMT BMTE- 250	BMT BMTE- 315	BMT BMTE- 400	BMT BMTE- 500	BMT BMTE- 630	BMT BMTE- 800
Displacement		161.1	201.4	251.8	326.3	410.9	523.6	629.1	801.8
Max. speed (rpm)	cont.	625	625	536	380	305	240	196	154
	int.	780	750	643	460	365	285	233	185
Max. torque (N•m)	cont.	470	590	670	950	1080	1220	1318	1464
	int.	560	710	821	1140	1260	1370	1498	1520
	peak	669	838	958	1346.3	1450.3	1643.8	1618.8	1665
Max. output (KW)	cont.	27.7	34.9	34.7	34.9	31.2	28.8	25.3	22.2
	int.	32	40	40	40	35	35	27.5	26.8
Max. pressure drop (Mpa)	cont.	20	20	20	20	18	16	14	12.5
	int.	24	24	24	24	21	18	16	13
	peak	28	28	28	28	24	21	19	16
Max. flow (L/min)	rated	80	100	100	100	100	100	100	100
	cont.	100	125	125	125	125	125	125	125
	int.	125	150	150	150	150	150	150	150
Max. inlet pressure (Mpa)	cont.	21	21	21	21	21	21	21	21
	int.	25	25	25	25	25	25	25	25
	peak	30	30	30	30	30	30	30	30
Weight(kg)		19.5	20	20.4	21	22	23	24	25

Selection

1	2	3	4
Series	Displacement	Flange	Output shaft
BMT	160	Code 4: 4-Ø14 Square-flange , Ø160 , pilot Ø 125×9 Code K6: 4-Ø14.5 Square-flange , Ø162 , pilot Ø 127×9 Code W : 4-Ø18 Wheel-flange , Ø200 , pilot Ø 160×7	Code M: Shaft Dia Ø40 ,Parallel key 12×8×70 Code G: Shaft Dia Ø38.1,Parallel key 9.52×9.52×57.15 Code F: Shaft Dia Ø38.1 ,Splined tooth 17-DP12/24 (US version) Code FD: Shaft Dia Ø38.1 ,Splined tooth 17-DP12/24 (Europe version) Code T: Shaft Dia Ø 45 Cone shaft 1:10 ,Parallel key 12×8×28 Code T1: Shaft Dia Ø 45 Cone shaft 1:8,Parallel key 11.13×11.13×31.75 Code SL: Shaft Dia Ø34.85,Splined key 6-34.85×28.14×8.64 Code G1: Shaft Dia Ø31.75,Parallel key 7.95×7.95×40
	200		
	250		
	315		
	400		
	500		
	630		
800			
BMTS	160-800	Code D: 4-Ø14 Circle-flange , Ø160 , pilot Ø125*8 Code E: 4-Ø14.5 Square-flange , Ø 162, pilot Ø127*10	Omit : Short shaft 16-DP12/24

Selection

5	6	7	8
Port and drain port	Rotation direction	Paint	Unusually function
Code D: G3/4 Manifold mount 4*M10,G1/4 Code M : M27*2 Manifold mount 4*M10,M14*1.5 Code S: 1-1/16-12UN O-ring,9/16-18UNF Code S1: 1-1/16-12UN O-ring,7/16-20UNF Code G: G3/4,G1/4	Omit: Standard Code R: Opposite	Omit: Blue Code 00: No paint Code B: Black Code S: Silver Grey	Omit: Standard Code F: Free running Code LS: Low speed

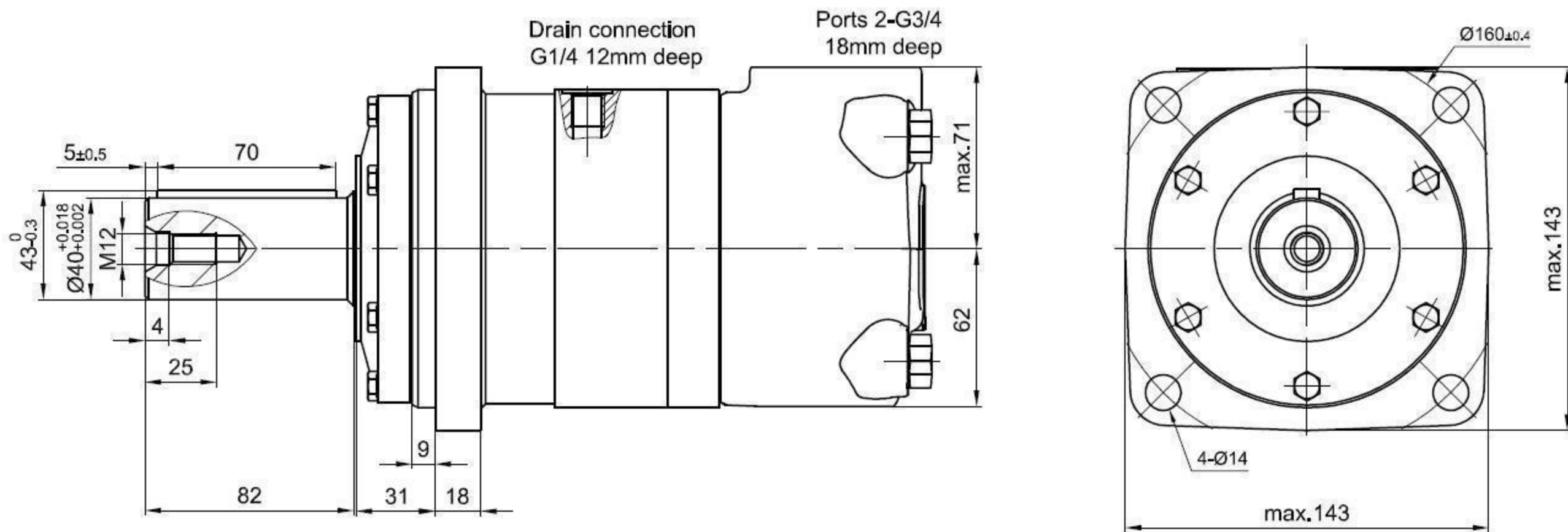
Selection

1	2	3	4
Series	Displacement	Flange	Output shaft
BMTE	160	Code CC: 4-Ø14.3 Square-flange Ø161.9 , pilot Ø127×12 Code E2B: 4-Ø14.3 Square-flange Ø127 , pilot Ø101.6×12 Code WE : 4-1/2-13UNC Wheel-flange Ø147.6 , pilot Ø127×9	Code G1: Shaft Dia Ø31.75,Parallel key 7.96×7.96×40 Code G2: Shaft Dia Ø38.1,Parallel key 9.52×9.52×42 Code FE: Shaft Dia Ø38.1 ,Splined tooth 17-DP12/24 (US version) Code Y1: Shaft Dia Ø40 ,Parallel key 12×8×63 Code T2: Shaft Dia Ø 41.25 Cone shaft 1:8,Parallel key 11.13×11.13×31.75
	200		
	250		
	315		
	400		
	500		
	630		
	800		
BMTJ	160-800	Code J: 4-Ø14.5 Square-flange , Ø161.9 , pilot Ø127×12.4	Omit : Short shaft 12-DP8.5/17
5	6	7	8
Port and drain port	Rotation direction	Paint	Unusually function
Code SF: 3/4 inch , Manifold mount 8-3/8-16UNC, 7/16-20UNF Code SF5: 1-5/16-12UN O-ring,7/16-20UNF Code SF6: M33×2,M14×1.5 Code SF7: G1,G1/4 Code SE: 1-1/16-12UN O-ring,9/16-18UNF Code SE1: 1-1/16-12UN O-ring,7/16-20UNF Code SE2: G3/4,G1/4	Omit: Standard Code R: Opposite	Omit: Blue Code 00: No paint Code B: Black Code S: Silver Grey	Omit: Standard Code F: Free running Code LS: Low speed

BMT Series hydraulic orbit motor

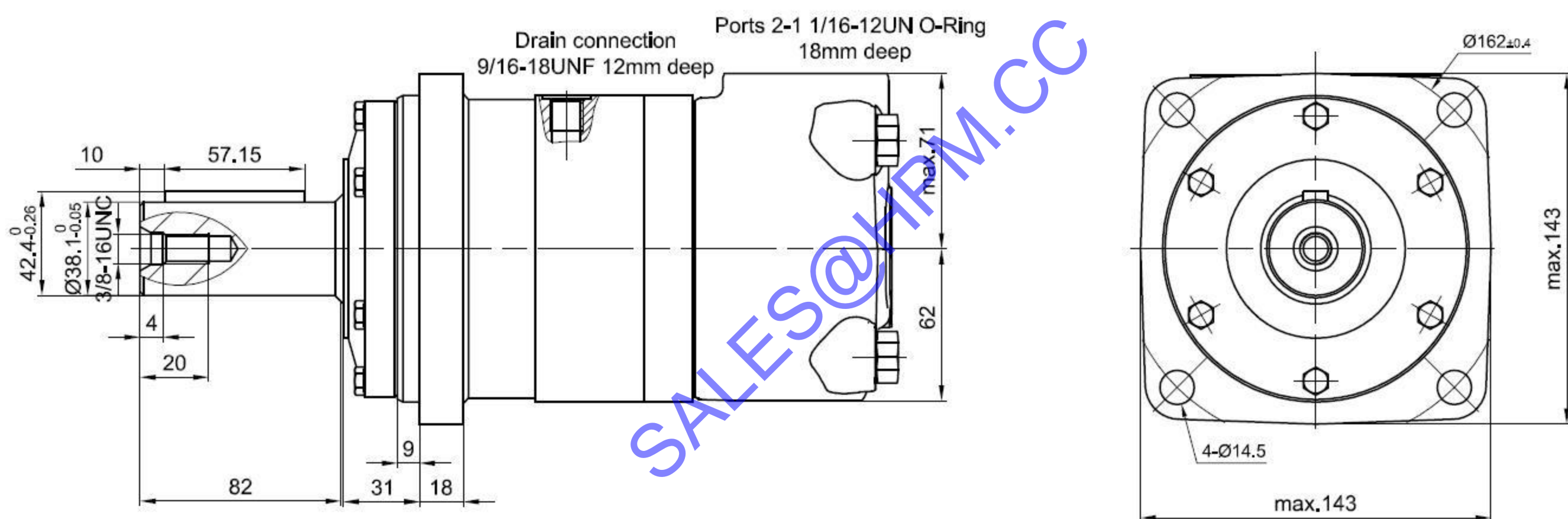
Popular model drawing

BMT-x-4-M-D



HPM Model	Danfoss Model	M+S Model	L mm	L1 mm	L2 mm	
BMT-160-4-M-D**	151B-3000	With Drain Port EPMT-160-C**	193	14	142.5	
BMT-200-4-M-D**	151B-3001		EPMT-200-C**	197	17	146.5
BMT-250-4-M-D**	151B-3002		EPMT-250-C**	204	20	152.5
BMT-315-4-M-D**	151B-3003		EPMT-315-C**	210	22	158.5
BMT-400-4-M-D**	151B-3004		EPMT-400-C**	217	27	165.5
BMT-500-4-M-D**	151B-3005		EPMT-500-C**	225	35	173.5
BMT-630-4-M-D**				237	47	185.5
BMT-800-4-M-D**				248	58	196.5

BMT-x-K6-G-S



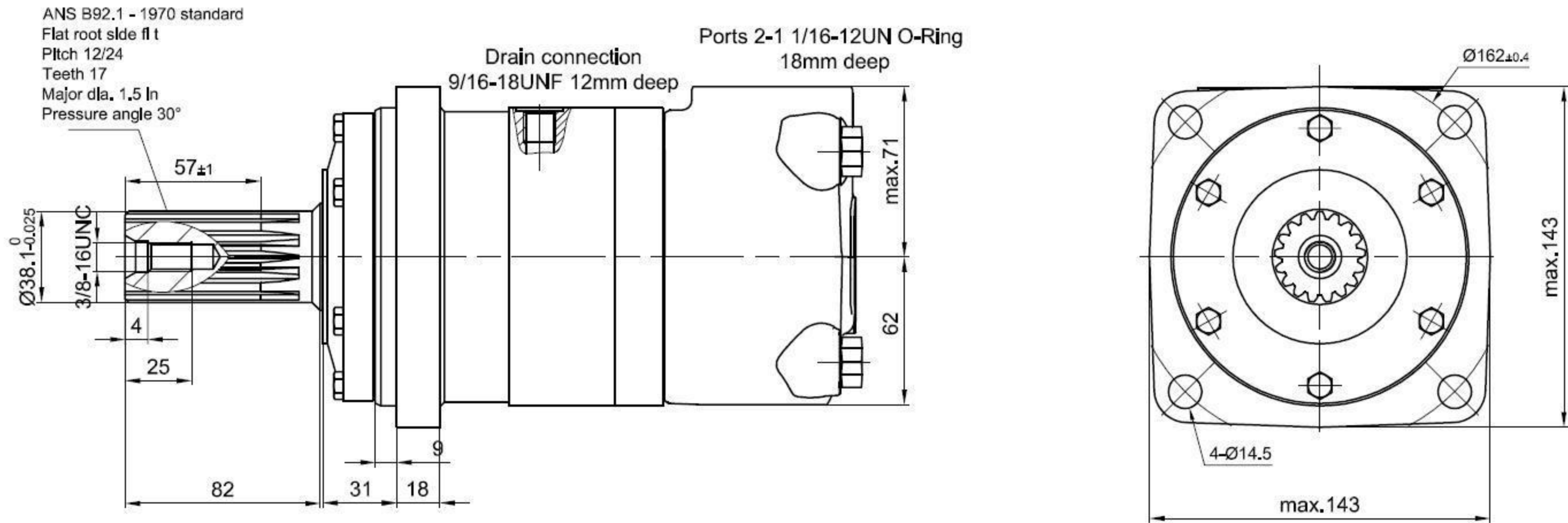
HPM Model	Danfoss Model	M+S Model	L mm	L1 mm	L2 mm	
BMT-160-K6-G-S	151B-2050	With Drain Port MLHT-160C4**	193	14	142.5	
BMT-200-K6-G-S	151B-2051		MLHT-200C4**	197	17	146.5
BMT-250-K6-G-S	151B-2052		MLHT-250C4**	204	20	152.5
BMT-315-K6-G-S	151B-2053		MLHT-315C4**	210	22	158.5
BMT-400-K6-G-S	151B-2054		MLHT-400C4**	217	27	165.5
BMT-500-K6-G-S	151B-2055		MLHT-500C4**	225	35	173.5
BMT-630-K6-G-S			MLHT-630C4**	237	47	185.5
BMT-800-K6-G-S				248	58	196.5

BMT Series hydraulic orbit motor



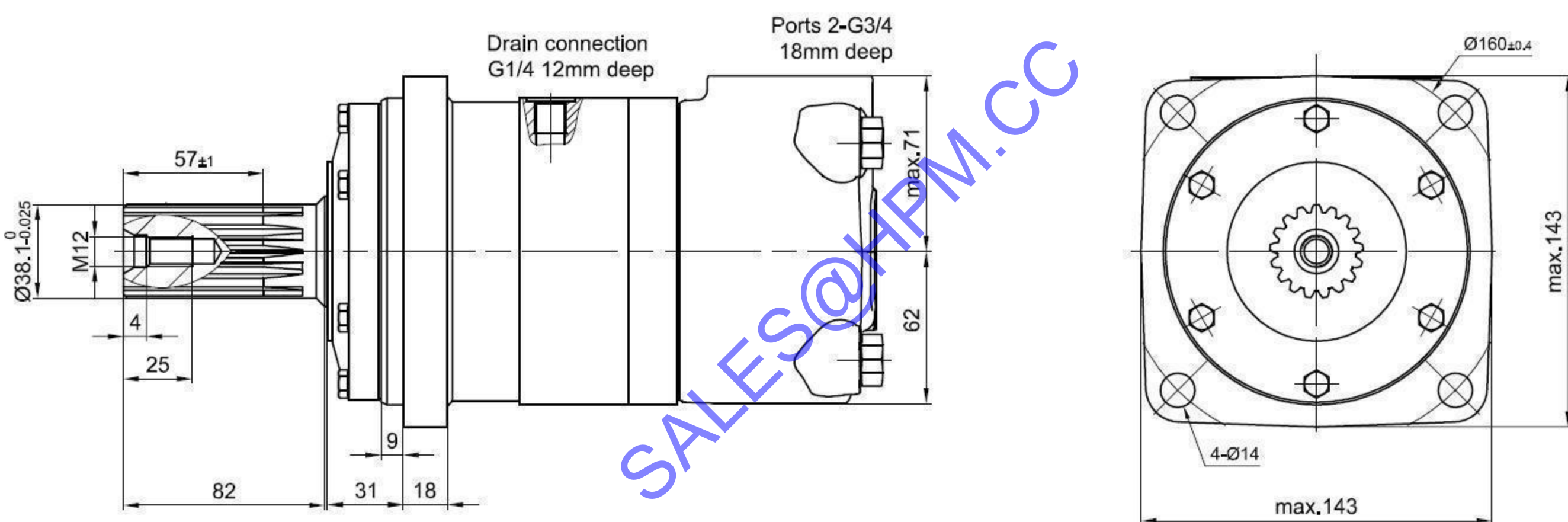
Popular model drawing

BMT-x-K6-F-S



HPM Model	Danfoss Model	M+S Model	L mm	L1 mm	L2 mm	
BMT-160-K6-F-S	151B-2056	With Drain Port MLHT-160G4**	193	14	142.5	
BMT-200-K6-F-S	151B-2057		MLHT-200G4**	197	17	146.5
BMT-250-K6-F-S	151B-2058		MLHT-250G4**	204	20	152.5
BMT-315-K6-F-S	151B-2059		MLHT-315G4**	210	22	158.5
BMT-400-K6-F-S	151B-2060		MLHT-400G4**	217	27	165.5
BMT-500-K6-F-S	151B-2061		MLHT-500G4**	225	35	173.5
BMT-630-K6-F-S			MLHT-630G4**	237	47	185.5
BMT-800-K6-F-S				248	58	196.5

BMT-x-4-FD-D



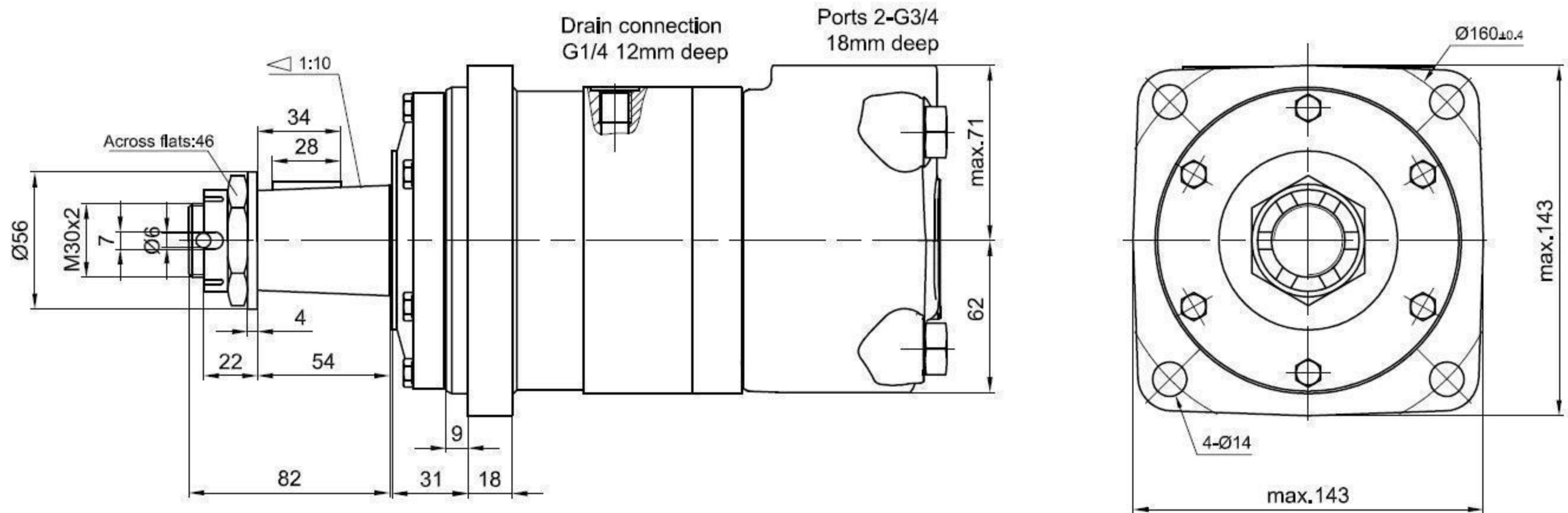
HPM Model	Danfoss Model	M+S Model	L mm	L1 mm	L2 mm	
BMT-160-4-FD-D	151B-3006	With Drain Port EPMT-160-SH**	193	14	142.5	
BMT-200-4-FD-D	151B-3007		EPMT-200-SH**	197	17	146.5
BMT-250-4-FD-D	151B-3008		EPMT-250-SH**	204	20	152.5
BMT-315-4-FD-D	151B-3009		EPMT-315-SH**	210	22	158.5
BMT-400-4-FD-D	151B-3010		EPMT-400-SH**	217	27	165.5
BMT-500-4-FD-D	151B-3011		EPMT-500-SH**	225	35	173.5
BMT-630-4-FD-D				237	47	185.5
BMT-800-4-FD-D				248	58	196.5

BMT Series hydraulic orbit motor



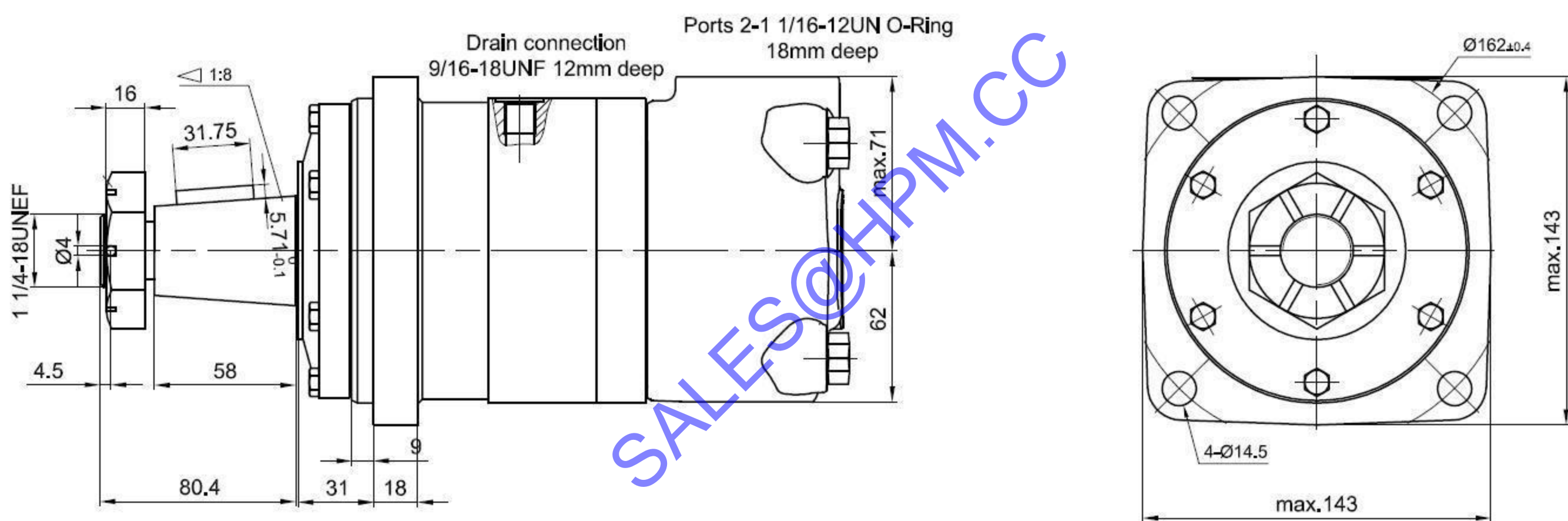
Popular model drawing

BMT-x-4-T-D



HPM Model	Danfoss Model	M+S Model	L mm	L1 mm	L2 mm
BMT-160-4-T-D	151B-3012	EPMT-160-K**	193	14	142.5
BMT-200-4-T-D	151B-3013	EPMT-200-K**	197	17	146.5
BMT-250-4-T-D	151B-3014	EPMT-250-K**	204	20	152.5
BMT-315-4-T-D	151B-3015	EPMT-315-K**	210	22	158.5
BMT-400-4-T-D	151B-3016	EPMT-400-K**	217	27	165.5
BMT-500-4-T-D	151B-3017	EPMT-500-K**	225	35	173.5
BMT-630-4-T-D			237	47	185.5
BMT-800-4-T-D			248	58	196.5

BMT-x-K6-T1-S



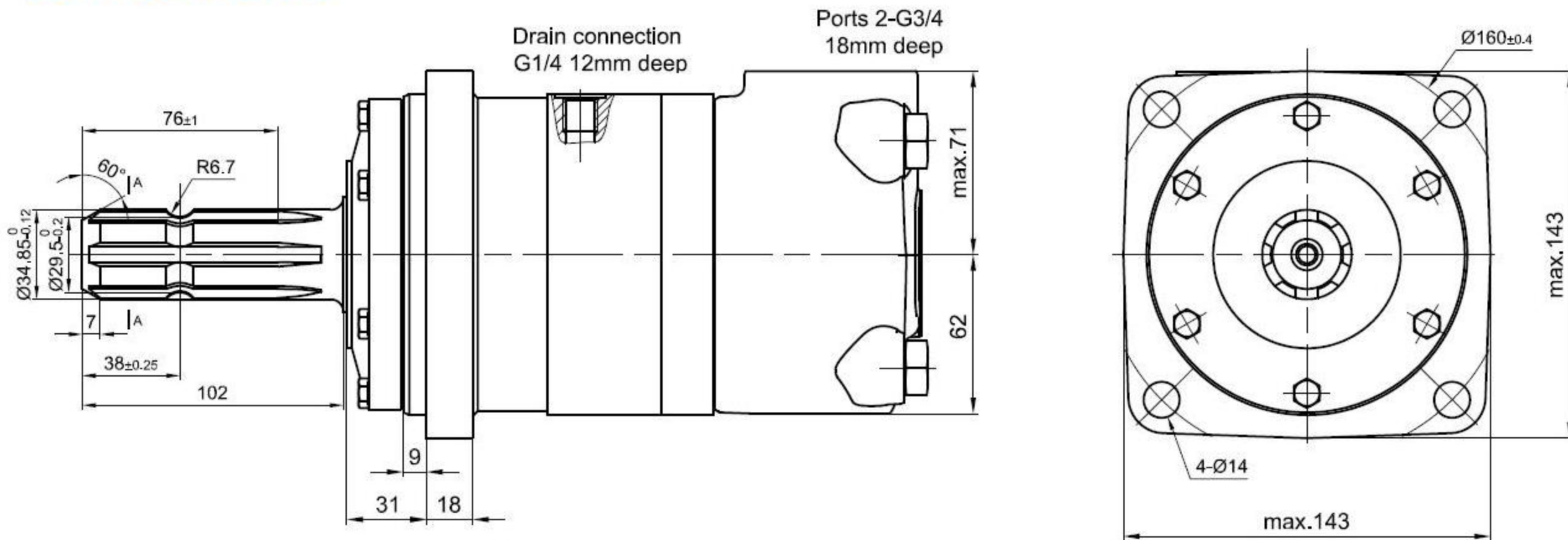
HPM Model	Danfoss Model	M+S Model	L mm	L1 mm	L2 mm
BMT-160-K6-T1-S**	151B-2062	MLHT-160-T4**	193	14	142.5
BMT-200-K6-T1-S**	151B-2063	MLHT-200-T4**	197	17	146.5
BMT-250-K6-T1-S**	151B-2064	MLHT-250-T4**	204	20	152.5
BMT-315-K6-T1-S**	151B-2065	MLHT-315-T4**	210	22	158.5
BMT-400-K6-T1-S**	151B-2066	MLHT-400-T4**	217	27	165.5
BMT-500-K6-T1-S**	151B-2067	MLHT-500-T4**	225	35	173.5
BMT-630-K6-T1-S**			237	47	185.5
BMT-800-K6-T1-S**			248	58	196.5

BMT Series hydraulic orbit motor



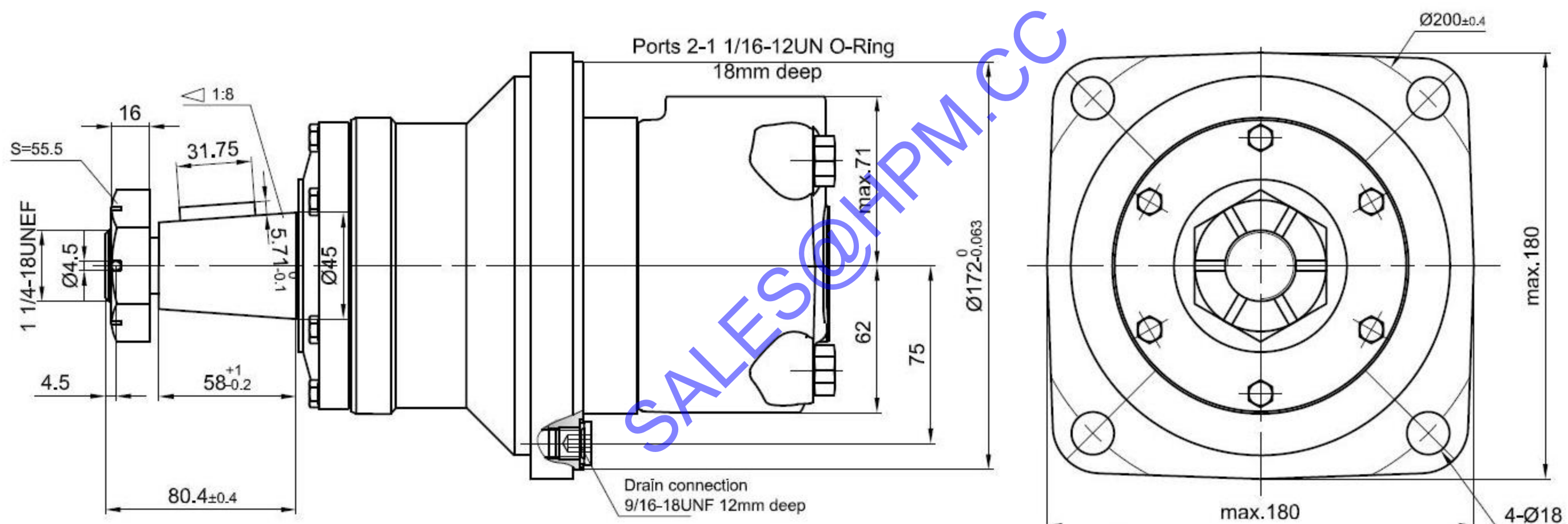
Popular model drawing

BMT-x-4-SL-D



HPM Model	Danfoss Model	M+S Model	L mm	L1 mm	L2 mm	
BMT-160-4-SL-D**	151B-3018	P.T.O.Type With Drain Port	EPMT-160-SL**	193	14	142.5
BMT-200-4-SL-D**	151B-3019		EPMT-200-SL**	197	17	146.5
BMT-250-4-SL-D**	151B-3020		EPMT-250-SL**	204	20	152.5
BMT-315-4-SL-D**	151B-3021		EPMT-315-SL**	210	22	158.5
BMT-400-4-SL-D**	151B-3022		EPMT-400-SL**	217	27	165.5
BMT-500-4-SL-D**	151B-3023		EPMT-500-SL**	225	35	173.5
BMT-630-4-SL-D**				237	47	185.5
BMT-800-4-SL-D**				248	58	196.5

BMT-x-W-T1-S

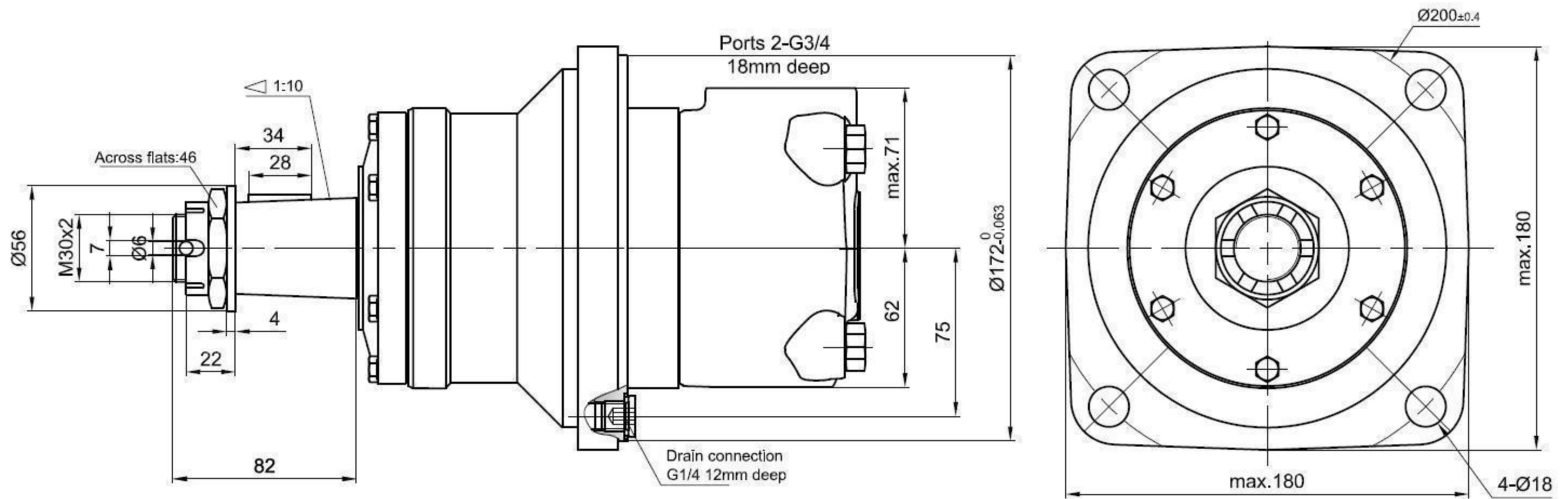


HPM Model	Danfoss Model	M+S Model	L mm	L1 mm	L2 mm	
BMT-160-W-T1-S**	151B-2080	With Drain Port	MLHT-W160-T4**	127	14	77
BMT-200-W-T1-S**	151B-2081		MLHT-W200-T4**	131	17	81
BMT-250-W-T1-S**	151B-2082		MLHT-W250-T4**	136	20	86
BMT-315-W-T1-S**	151B-2083		MLHT-W315-T4**	142	22	91
BMT-400-W-T1-S**	151B-2084		MLHT-W400-T4**	148	27	98
BMT-500-W-T1-S**	151B-2085		MLHT-W500-T4**	157	35	106
BMT-630-W-T1-S**				169	47	118
BMT-800-W-T1-S**				180	58	129

BMT Series hydraulic orbit motor

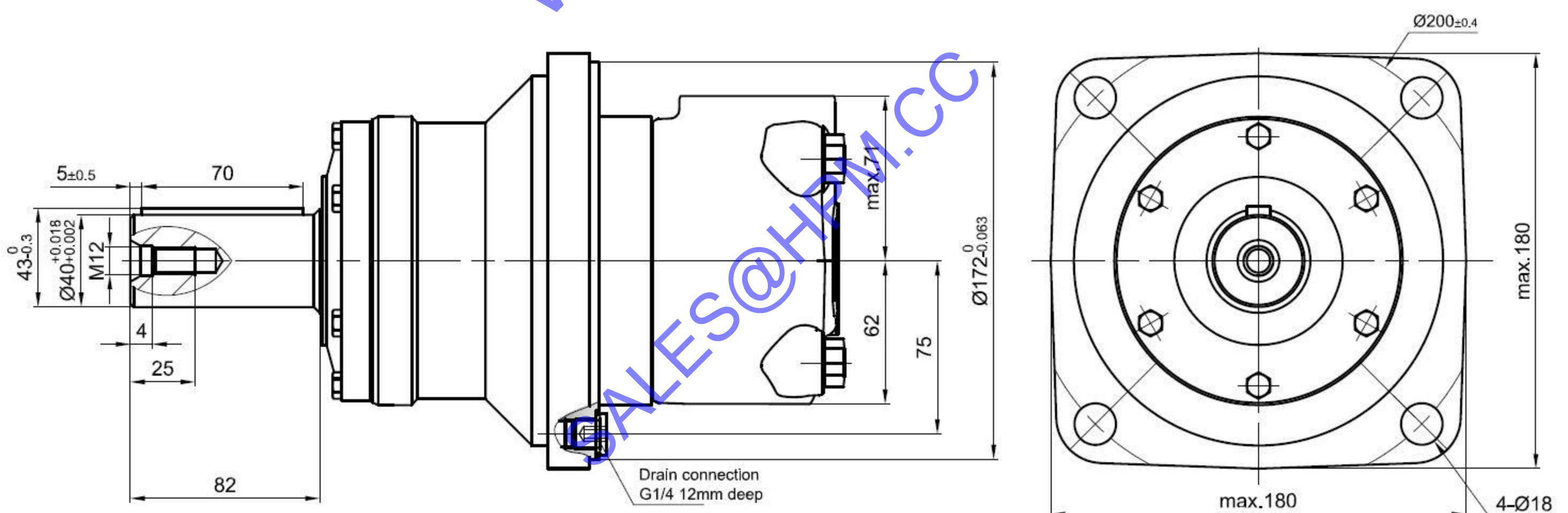
Popular model drawing

BMT-x-W-T-D



HPM Model	Danfoss Model	M+S Model	L mm	L1 mm	L2 mm	
BMT-160-W-T-D**	151B-3030	With Drain Port	EPMT-W160-K**	127	14	77
BMT-200-W-T-D**	151B-3031		EPMT-W200-K**	131	17	81
BMT-250-W-T-D**	151B-3032		EPMT-W250-K**	136	20	86
BMT-315-W-T-D**	151B-3033		EPMT-W315-K**	142	22	91
BMT-400-W-T-D**	151B-3034		EPMT-W400-K**	148	27	98
BMT-500-W-T-D**	151B-3035		EPMT-W500-K**	157	35	106
BMT-630-W-T-D**				169	47	118
BMT-800-W-T-D**				180	58	129

BMT-x-W-M-D



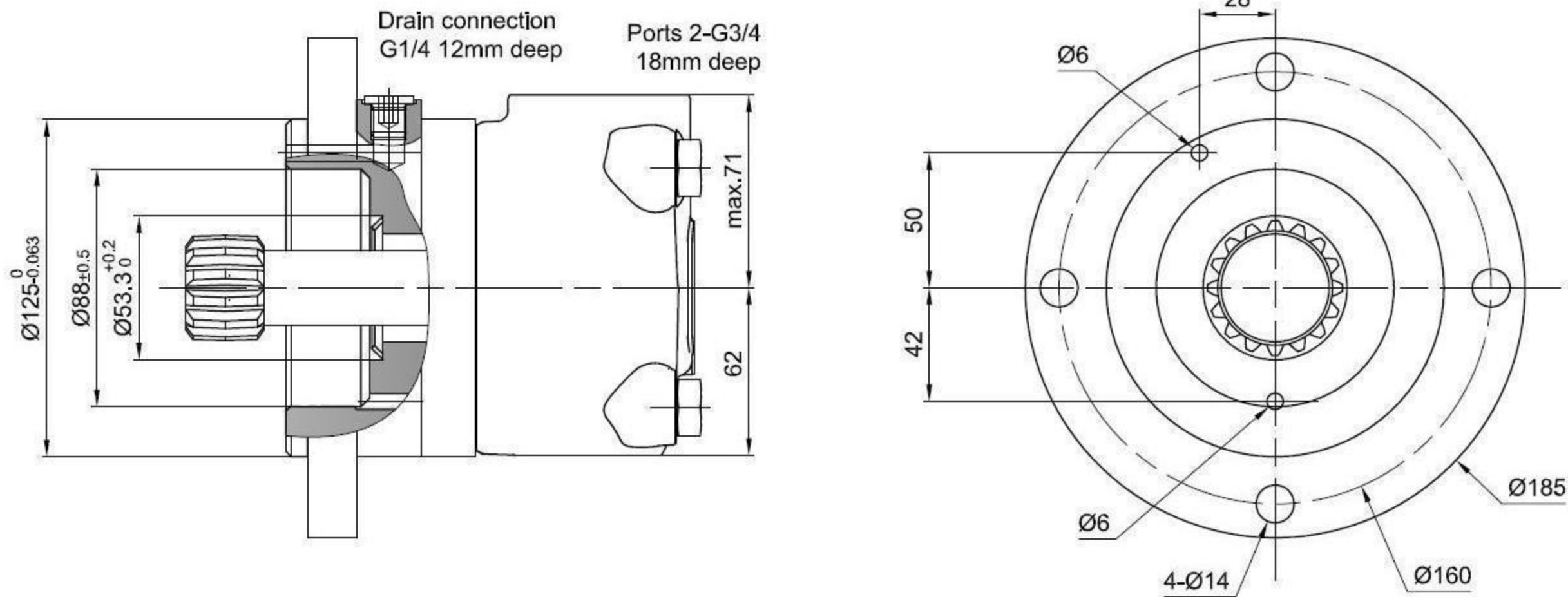
HPM Model	Danfoss Model	M+S Model	L mm	L1 mm	L2 mm	
BMT-160-W-M-D**	151B-3024	With Drain Port	EPMT-W160-C**	127	14	77
BMT-200-W-M-D**	151B-3025		EPMT-W200-C**	131	17	81
BMT-250-W-M-D**	151B-3026		EPMT-W250-C**	136	20	86
BMT-315-W-M-D**	151B-3027		EPMT-W315-C**	142	22	91
BMT-400-W-M-D**	151B-3028		EPMT-W400-C**	148	27	98
BMT-500-W-M-D**	151B-3029		EPMT-W500-C**	157	35	106
BMT-630-W-M-D**				169	47	118
BMT-800-W-M-D**				180	58	129

BMT Series hydraulic orbit motor



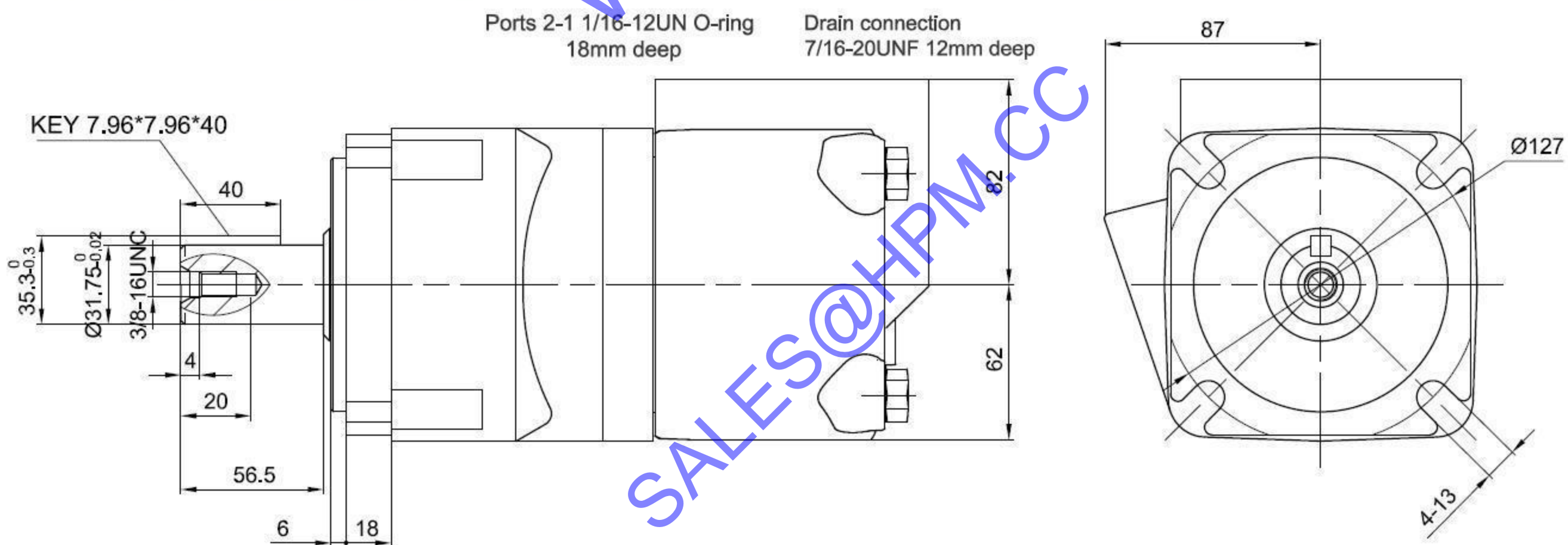
Popular model drawing

BMTS-x-D-D



HPM Model	Danfoss Model	M+S Model	L mm	L1 mm	L2 mm
BMTS-160-D-D	151B-3036	EPMT-S160**	148	17	96.5
BMTS-200-D-D	151B-3037	EPMT-S200**	152	21	100.5
BMTS-250-D-D	151B-3038	EPMT-S250**	157	14	109
BMTS-315-D-D	151B-3039	EPMT-S315**	163	20	115
BMTS-400-D-D	151B-3040	EPMT-S400**	170	27	122
BMTS-500-D-D	151B-3041	EPMT-S500**	178	35	130
BMTS-630-D-D			190	47	142
BMTS-800-D-D			201	58	153

BMTE-x-B2E-G1-SE1

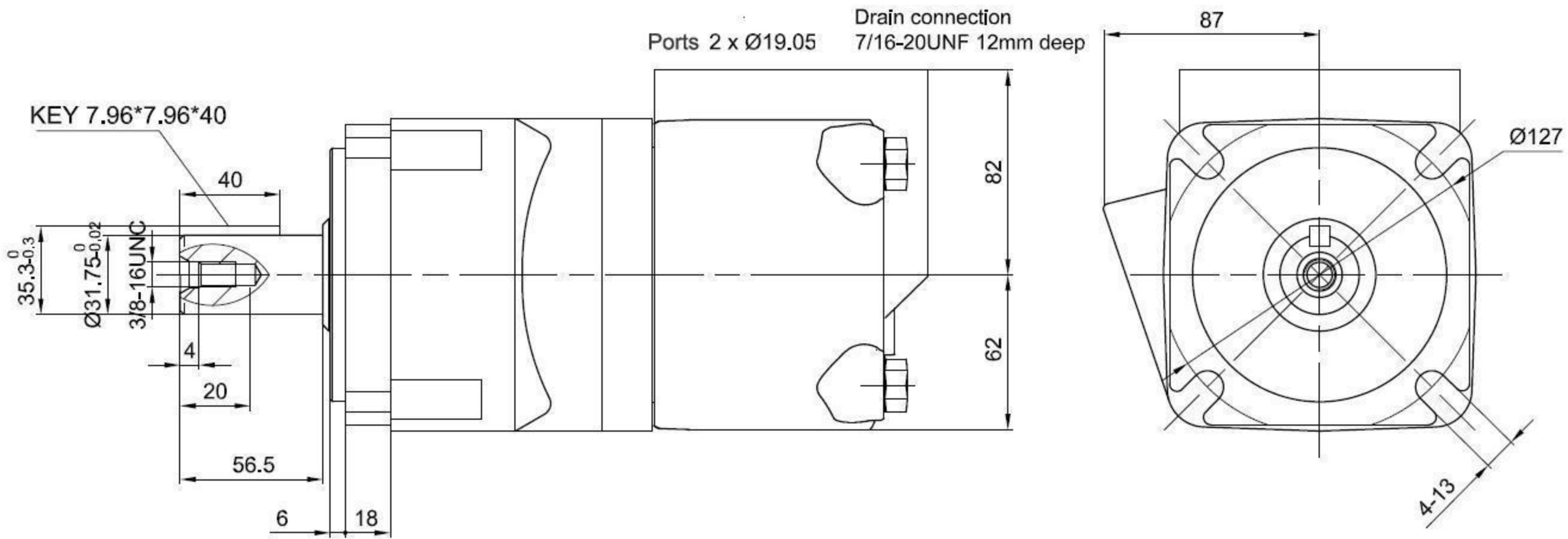


HPM Model	Eaton Model	L mm	L1 mm	L2 mm
BMTE-160-B2E-G1-SE1	M04-099AB01AB***	231.5	17	164
BMTE-200-B2E-G1-SE1	M04-125AB01AB***	235.5	21	168
BMTE-230-B2E-G1-SE1		238.5	12	164.5
BMTE-250-B2E-G1-SE1	M04-150AB01AB***	240.5	14	166.5
BMTE-315-B2E-G1-SE1	M04-190AB01AB***	246.5	20	172.5
BMTE-400-B2E-G1-SE1	M04-240AB01AB***	253.5	27	179.5
BMTE-500-B2E-G1-SE1	M04-301AB01AB***	261.5	35	187.5
BMTE-630-B2E-G1-SE1	M04-381AB01AB***	273.5	47	199.5
BMTE-800-B2E-G1-SE1		284.5	58	210.5

BMT Series hydraulic orbit motor

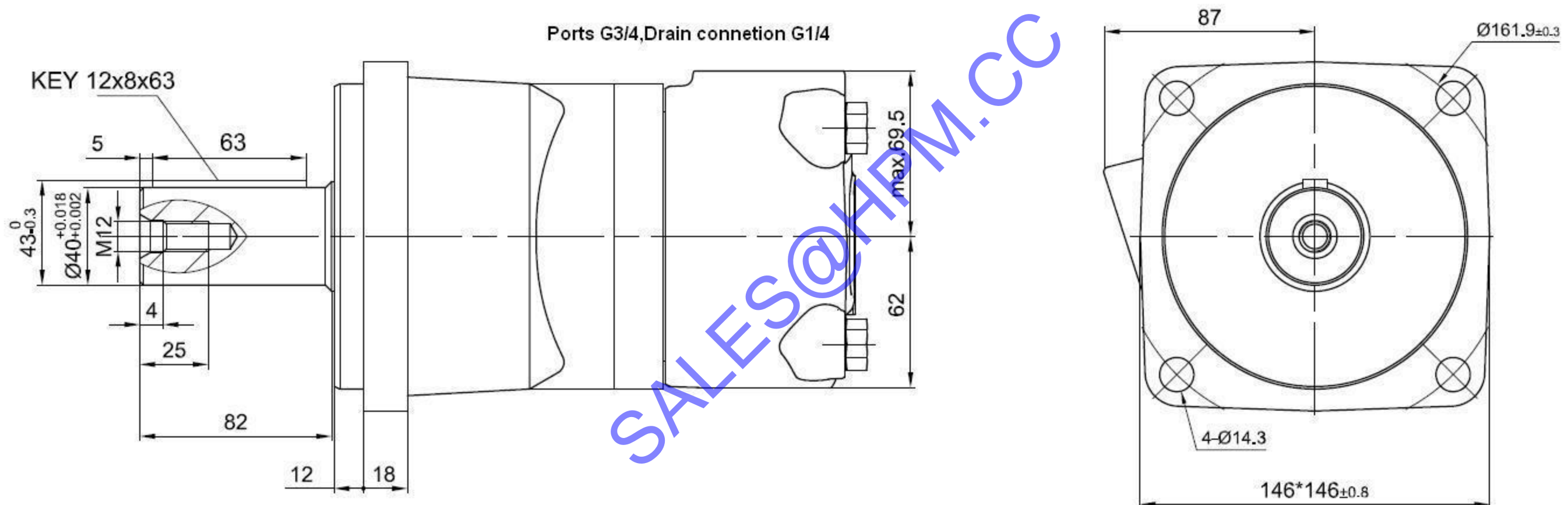
Popular model drawing

BMTE-x-B2E-G1-SF



HPM Model	Eaton Model		L mm	L1 mm	L2 mm
BMTE-160-B2E-G1-SF	M04-099AB01AD***	With Drain Port	231.5	17	164
BMTE-200-B2E-G1-SF	M04-125AB01AD***		235.5	21	168
BMTE-230-B2E-G1-SF			238.5	12	164.5
BMTE-250-B2E-G1-SF	M04-150AB01AD***		240.5	14	166.5
BMTE-315-B2E-G1-SF	M04-190AB01AD***		246.5	20	172.5
BMTE-400-B2E-G1-SF	M04-240AB01AD***		253.5	27	179.5
BMTE-500-B2E-G1-SF	M04-301AB01AD***		261.5	35	187.5
BMTE-630-B2E-G1-SF	M04-381AB01AD***		273.5	47	199.5
BMTE-800-B2E-G1-SF			284.5	58	210.5

BMTE-x-CC-Y1-SE2

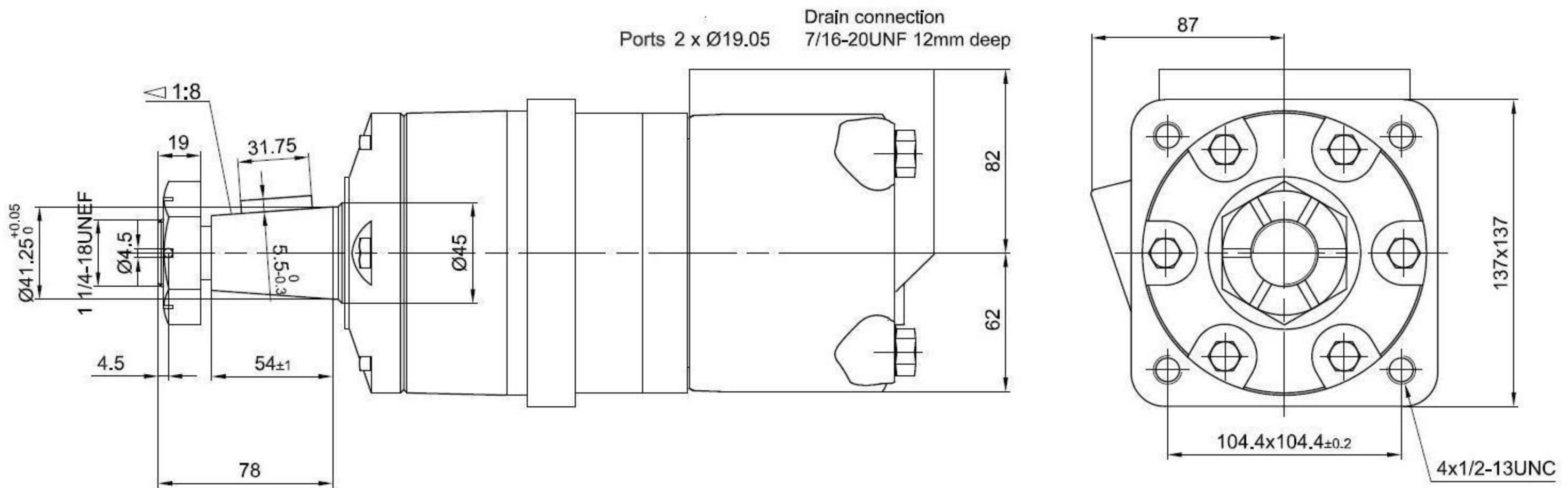


HPM Model	Eaton Model		L mm	L1 mm	L2 mm
BMTE-160-CC-Y1-SE2	M04-099AF11AC***	With Drain Port	231.5	17	164
BMTE-200-CC-Y1-SE2	M04-125AF11AC***		235.5	21	168
BMTE-230-CC-Y1-SE2			238.5	12	164.5
BMTE-250-CC-Y1-SE2	M04-150AF11AC***		240.5	14	166.5
BMTE-315-CC-Y1-SE2	M04-190AF11AC***		246.5	20	172.5
BMTE-400-CC-Y1-SE2	M04-240AF11AC***		253.5	27	179.5
BMTE-500-CC-Y1-SE2	M04-301AF11AC***		261.5	35	187.5
BMTE-630-CC-Y1-SE2	M04-381AF11AC***		273.5	47	199.5
BMTE-800-CC-Y1-SE2			284.5	58	210.5

BMT Series hydraulic orbit motor

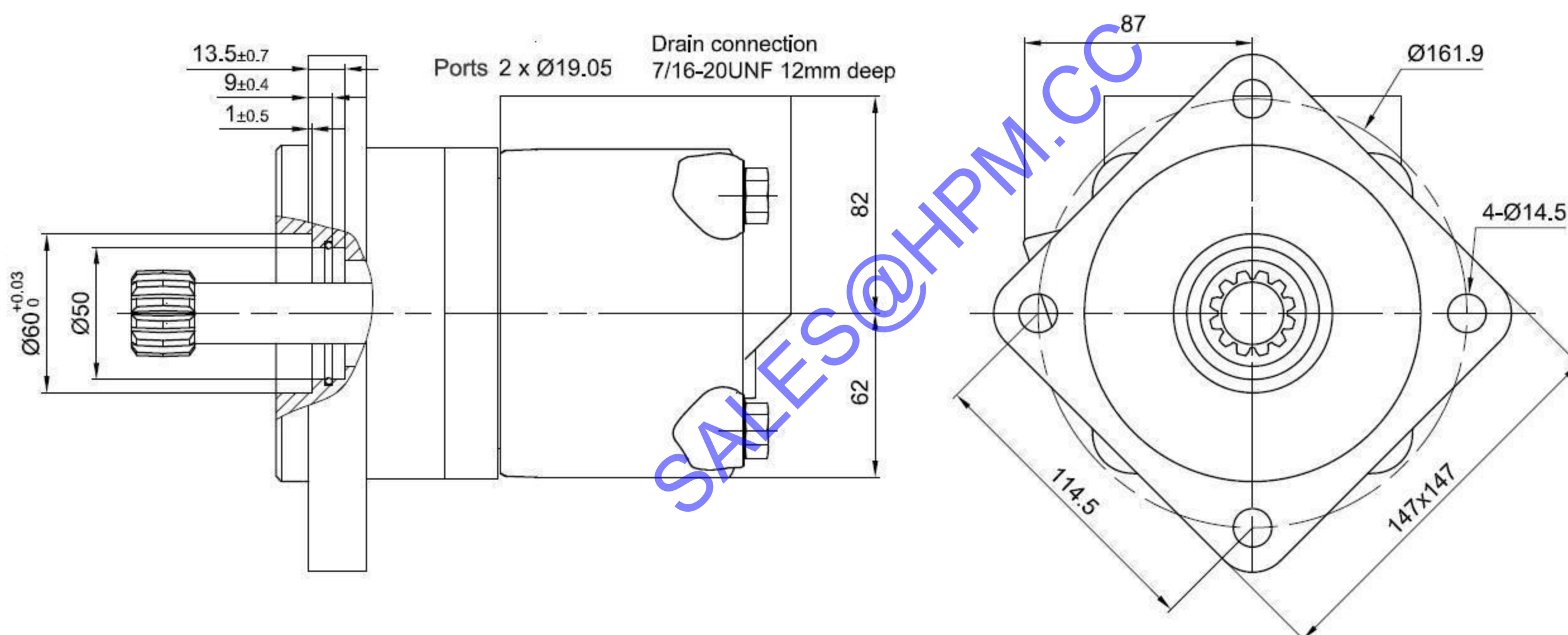
Popular model drawing

BMTE-x-WE-T2-SF



HPM Model	Eaton Model		L mm	L1 mm	L2 mm
BMTE-160-WE-T2-SF	M04-099AD02AD***	With Drain Port	162	17	104.5
BMTE-200-WE-T2-SF	M04-125AD02AD***		166	21	108.5
BMTE-230-WE-T2-SF			169	12	105
BMTE-250-WE-T2-SF	M04-150AD02AD***		170.5	14	107.5
BMTE-315-WE-T2-SF	M04-190AD02AD***		176.5	20	113.5
BMTE-400-WE-T2-SF	M04-240AD02AD***		183.5	27	120.5
BMTE-500-WE-T2-SF	M04-301AD02AD***		191.5	35	128.5
BMTE-630-WE-T2-SF	M04-381AD02AD***		203.5	47	140.5
BMTE-800-WE-T2-SF			214.5	58	151.5

BMTJ-x-F-SF



HPM Model	Eaton Model		L mm	L1 mm	L2 mm
BMTJ-160-J-SF	M04-099AA00AD***	With Drain Port	165	17	97.5
BMTJ-200-J-SF	M04-125AA00AD***		169	21	99.5
BMTJ-230-J-SF			176	12	104.5
BMTJ-250-J-SF	M04-150AA00AD***		178	14	106.5
BMTJ-315-J-SF	M04-190AA00AD***		184	20	112.5
BMTJ-400-J-SF	M04-240AA00AD***		191	27	119.5
BMTJ-500-J-SF	M04-301AA00AD***		199	35	127.5
BMTJ-630-J-SF	M04-381AA00AD***		211	47	139.5
BMTJ-800-J-SF			222	58	150.5

BMV Series hydraulic orbit motor



BMV-Replace with Danfoss OMV SERIES,M+S EPMV/MLHV SERIES

Parameters

Type		BMV-315	BMV-400	BMV-500	BMV-630	BMV-800	BMV -1000
Displacement		333	419	518	666	801	990
Max. speed (rpm)	cont.	510	500	400	320	250	200
	int.	630	600	480	380	300	240
Max. torque (N•m)	cont.	920	1180	1460	1660	1880	2015
	int.	1110	1410	1760	1940	2110	2280
	peak	1290	1640	2050	2210	2470	2400
Max. output (kW)	cont.	38	47	47	40	33	28.6
	int.	46	56	56	56	44	40
Max.pressure drop (MPa)	cont.	20	20	20	18	16	14
	int.	24	24	24	21	18	16
	peak	28	28	28	24	21	18
Max.flow(L/min)	cont.	160	200	200	200	200	200
	int.	200	240	240	240	240	240
Weight(kg)		31.8	32.6	33.5	34.9	36.5	38.6

Selection

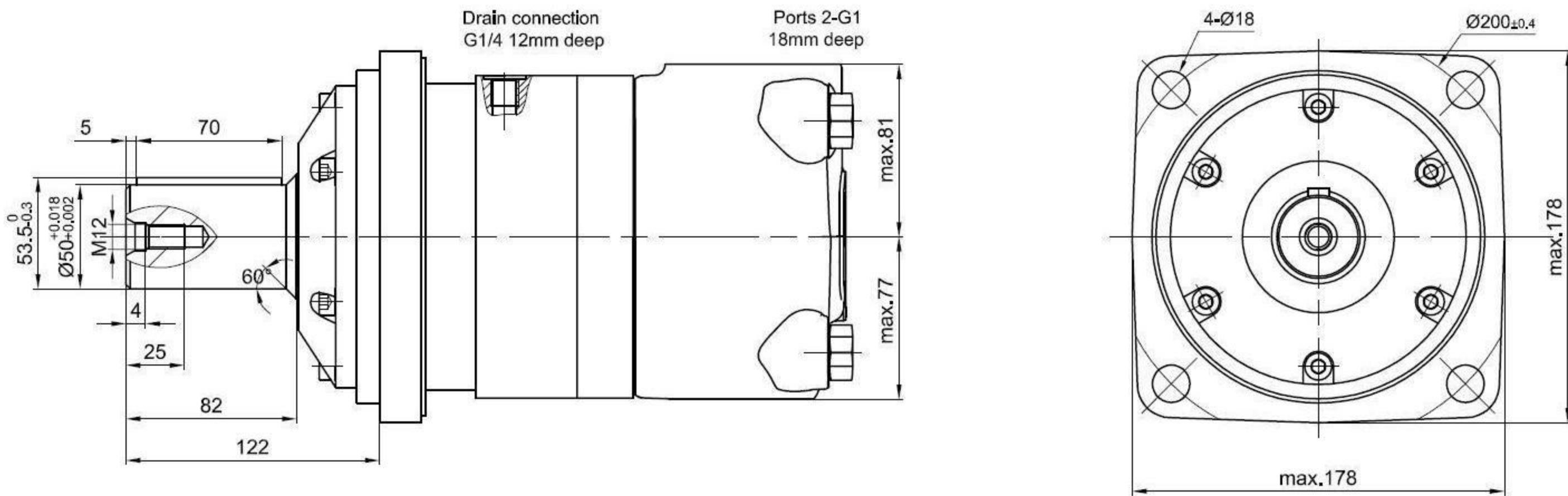
1	2	3	4
Series	Displacement	Flange	Output shaft
BMV	315	Code 4: 4-Ø18 Square-flange , Ø200 , pilot Ø 160*11 Code W : 4-Ø18 Wheel-flange , Ø224 , pilot Ø 180*10	Code A: Ø50 ,Parallel key 14×9×70 Code B: Ø2.15 inch,Splined key 16-DP8/16 (US version) Code BD: Ø2.15 inch,Splined key 16-DP8/16 (Europe version) Code C: Ø2.25 inch,Parallel key 12.7×12.7×57.15 Code T: Ø 60 Cone shaft 1:10 ,Parallel key 16×10×32 Code T1: Ø 57.2 Cone shaft 1:8,Parallel key 14.308×14.308×50.8(With locknut)
	400		
	500		
	630		
	800		
	1000		
5	6	7	8
Port and drain port	Rotation direction	Paint	Unusually function
Code D: G 1 Manifold mount 4*M12,G1/4 Code M : M33*2 Manifold mount 4*M12,M14*1.5 Code S: 1-5/16-12UN,9/16-18UNF Code S1: 1-5/16-12UN ,7/16-20UNF	Omit: Standard Code R: Opposite	Omit: Blue Code 00: No paint Code B: Black Code S: Silver Grey	Omit: Standard

BMV Series hydraulic orbit motor



Popular model drawing

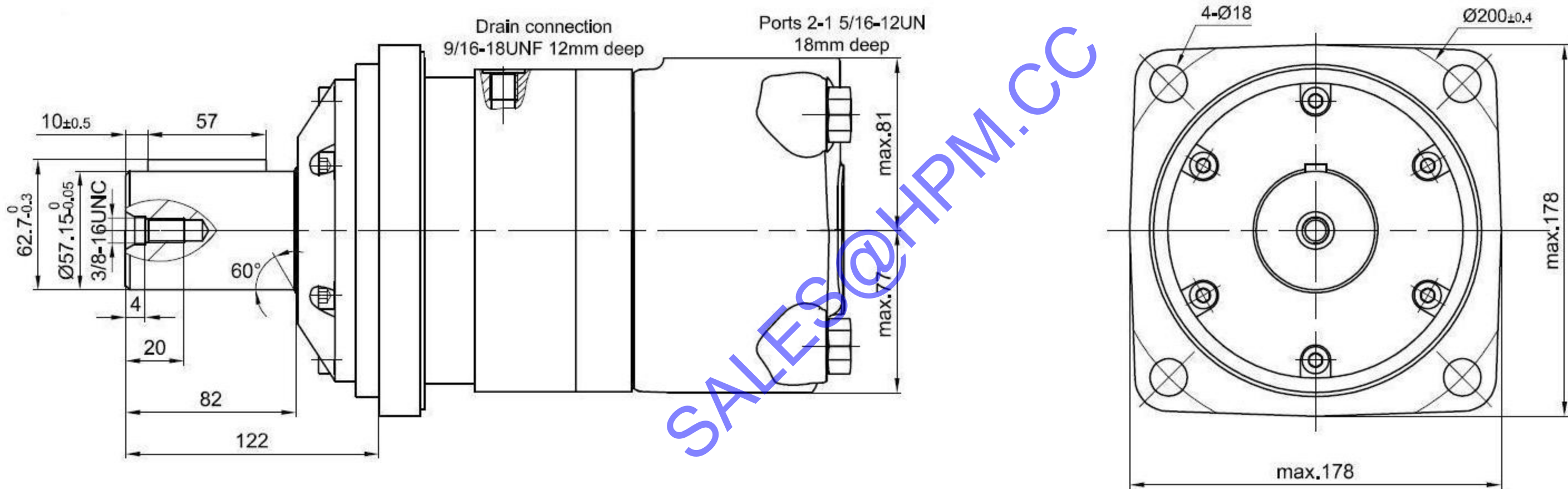
BMV-x-4-A-D**



HPM Model	Danfoss Model	M+S Model	L mm	L1 mm	L2 mm
BMV-315-4-A-D	151B-3100	EPMV-315-C**	217	20	161.5
BMV-400-4-A-D	151B-3101	EPMV-400-C**	224	27	168.5
BMV-500-4-A-D	151B-3102	EPMV-500-C**	232	35	176.5
BMV-630-4-A-D	151B-3103	EPMV-630-C**	244	47	188.5
BMV-800-4-A-D	151B-3104	EPMV-800-C**	255	58	199.5
BMV-1000-4-A-D			271	74	215.5

With Drain Port

BMV-x-4-C-S**



HPM Model	Danfoss Model	M+S Model	L mm	L1 mm	L2 mm
BMV-315-4-C-S	151B-2150	MLHV-315-C**	217	20	161.5
BMV-400-4-C-S	151B-2151	MLHV-400-C**	224	27	168.5
BMV-500-4-C-S	151B-2152	MLHV-500-C**	232	35	176.5
BMV-630-4-C-S	151B-2153	MLHV-630-C**	244	47	188.5
BMV-800-4-C-S	151B-2154	MLHV-800-C**	255	58	199.5
BMV-1000-4-C-S			271	74	215.5

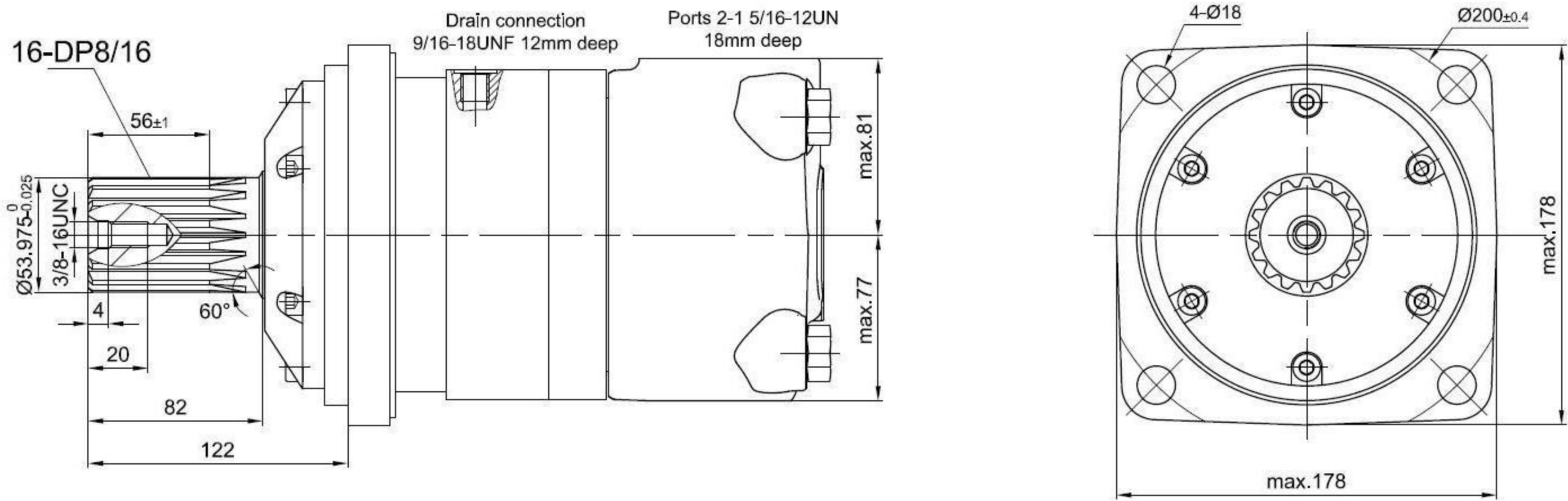
With Drain Port

BMV Series hydraulic orbit motor



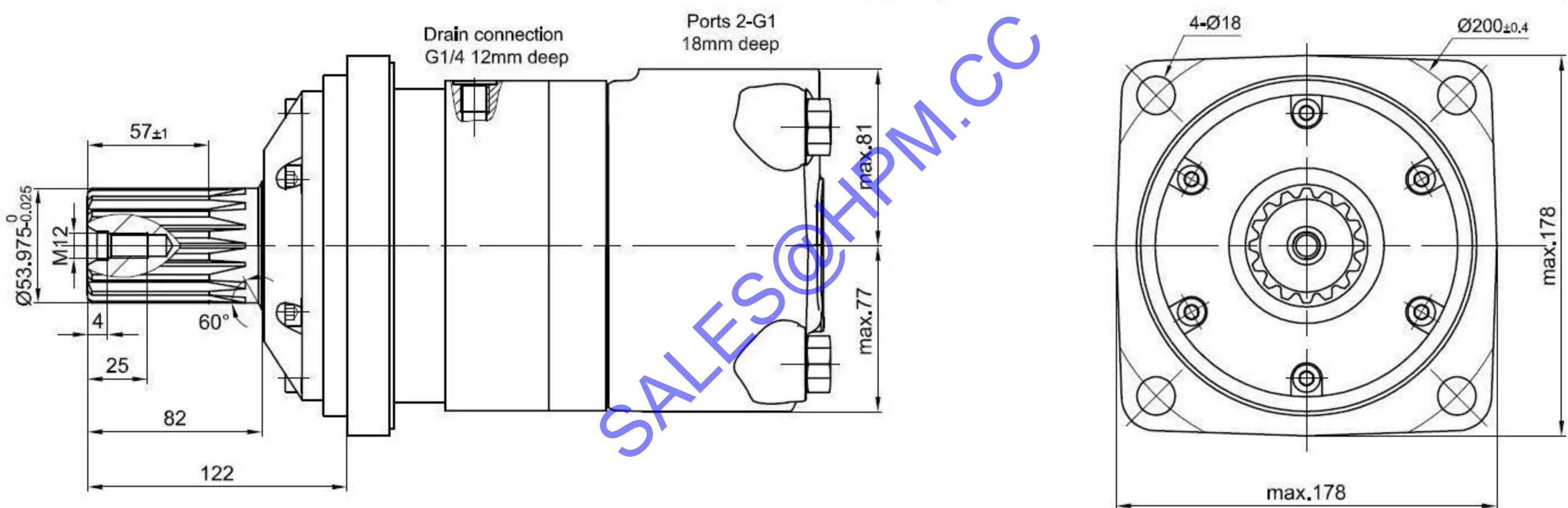
Popular model drawing

BMV-x-4-B-S**



HPM Model	Danfoss Model	M+S Model	L mm	L1 mm	L2 mm	
BMV-315-4-B-S	151B-2155	With Drain Port MLHV-315-G**	217	20	161.5	
BMV-400-4-B-S	151B-2156		MLHV-400-G**	224	27	168.5
BMV-500-4-B-S	151B-2157		MLHV-500-G**	232	35	176.5
BMV-630-4-B-S	151B-2158		MLHV-630-G**	244	47	188.5
BMV-800-4-B-S	151B-2159		MLHV-800-G**	255	58	199.5
BMV-1000-4-B-S				271	74	215.5

BMV-x-4-BD-D**



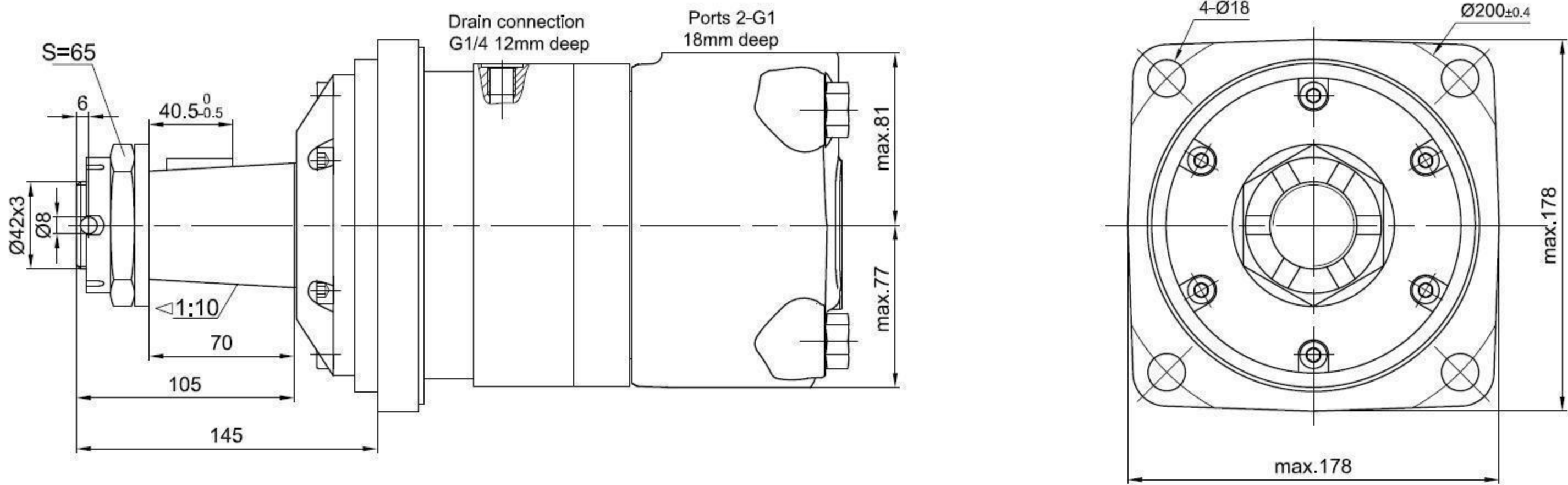
HPM Model	Danfoss Model	M+S Model	L mm	L1 mm	L2 mm	
BMV-315-4-BD-D	151B-3105	With Drain Port EPMV-315-SH**	217	20	161.5	
BMV-400-4-BD-D	151B-3106		EPMV-400-SH**	224	27	168.5
BMV-500-4-BD-D	151B-3107		EPMV-500-SH**	232	35	176.5
BMV-630-4-BD-D	151B-3108		EPMV-630-SH**	244	47	188.5
BMV-800-4-BD-D	151B-3109		EPMV-800-SH**	255	58	199.5
BMV-1000-4-BD-D				271	74	215.5

BMV Series hydraulic orbit motor



Popular model drawing

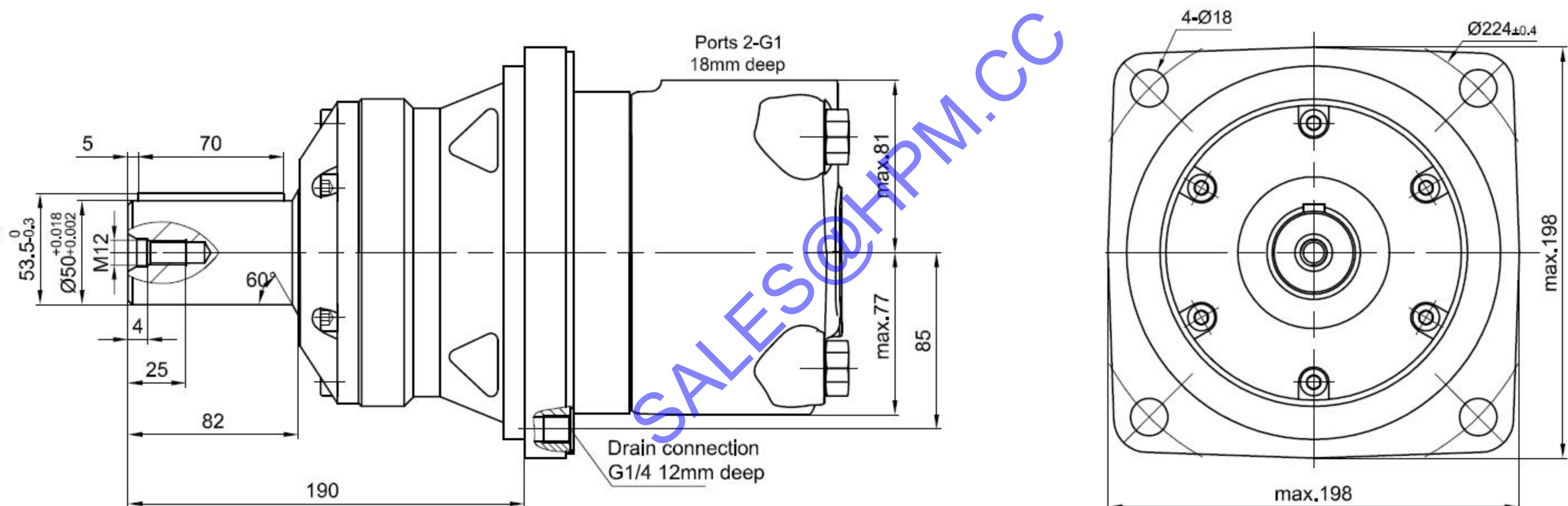
BMV-x-4-T-D**



HPM Model	Danfoss Model	M+S Model	L mm	L1 mm	L2 mm
BMV-315-4-T-D	151B-3110	EPMV-315-K**	217	20	161.5
BMV-400-4-T-D	151B-3111	EPMV-400-K**	224	27	168.5
BMV-500-4-T-D	151B-3112	EPMV-500-K**	232	35	176.5
BMV-630-4-T-D	151B-3113	EPMV-630-K**	244	47	188.5
BMV-800-4-T-D	151B-3114	EPMV-800-K**	255	58	199.5
BMV-1000-4-T-D			271	74	215.5

With Drain Port

BMV-x-W-A-D**



HPM Model	Danfoss Model	M+S Model	L mm	L1 mm	L2 mm
BMV-315-W-A-D	151B-3115	EPMV-W315-C**	148.5	20	93.5
BMV-400-W-A-D	151B-3116	EPMV-W400-C**	155.5	27	100.5
BMV-500-W-A-D	151B-3117	EPMV-W500-C**	163.5	35	108.5
BMV-630-W-A-D	151B-3118	EPMV-W630-C**	175.5	47	120.5
BMV-800-W-A-D	151B-3119	EPMV-W800-C**	186.5	58	131.5
BMV-1000-W-A-D			202.5	74	147.5

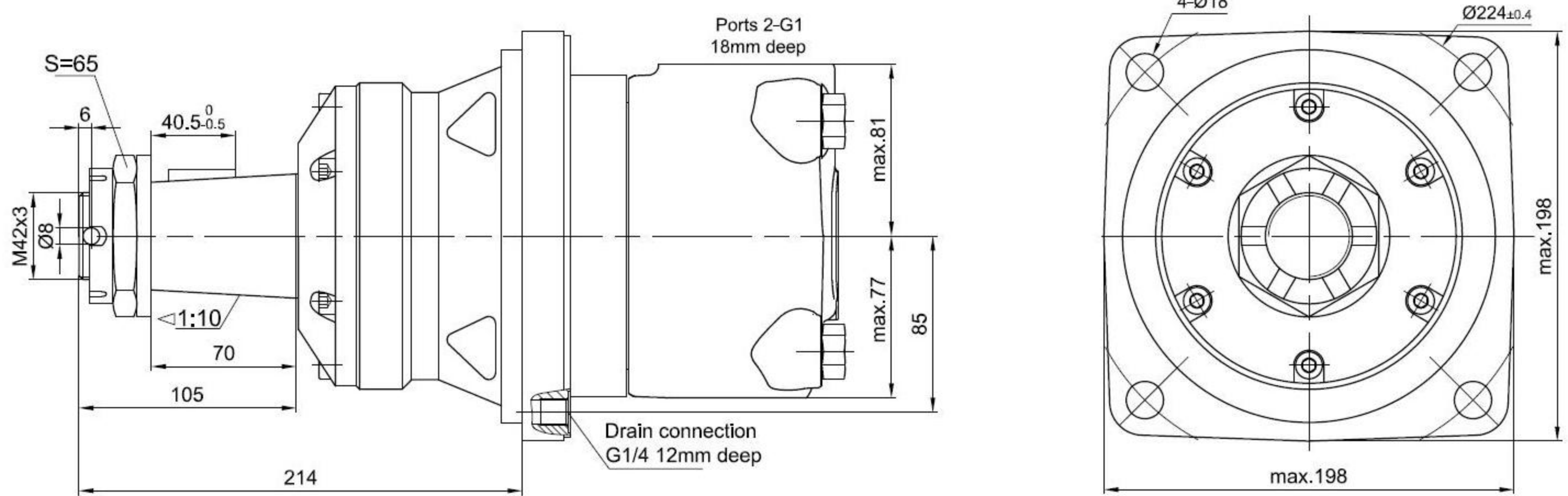
With Drain Port

BMV Series hydraulic orbit motor



Popular model drawing

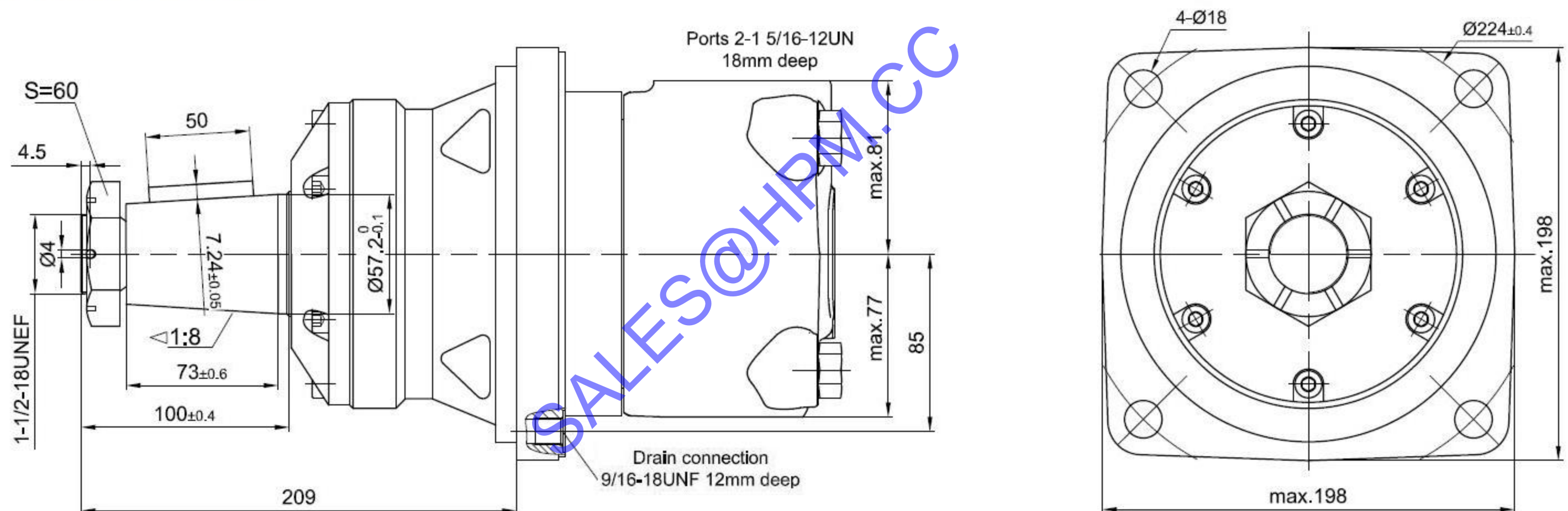
BMV-x-W-T-D**



HPM Model	Danfoss Model	M+S Model	L mm	L1 mm	L2 mm
BMV-315-W-T-D**	151B-3120	EPMV-W315-K**	148.5	20	93.5
BMV-400-W-T-D**	151B-3121	EPMV-W400-K**	155.5	27	100.5
BMV-500-W-T-D**	151B-3122	EPMV-W500-K**	163.5	35	108.5
BMV-630-W-T-D**	151B-3123	EPMV-W630-K**	175.5	47	120.5
BMV-800-W-T-D**	151B-3124	EPMV-W800-K**	186.5	58	131.5
BMV-1000-W-T-D**			202.5	74	147.5

With Drain Port

BMV-x-W-T1-S**



HPM Model	Danfoss Model	M+S Model	L mm	L1 mm	L2 mm
BMV-315-W-T1-S**	151B-2170	MLHV-W*315-T**	148.5	20	93.5
BMV-400-W-T1-S**	151B-2171	MLHV-W*400-T**	155.5	27	100.5
BMV-500-W-T1-S**	151B-2172	MLHV-W*500-T**	163.5	35	108.5
BMV-630-W-T1-S**	151B-2173	MLHV-W*630-T**	175.5	47	120.5
BMV-800-W-T1-S**	151B-2174	MLHV-W*800-T**	186.5	58	131.5
BMV-1000-W-T1-S**			202.5	74	147.5

With Drain Port

BME2 Series hydraulic orbit motor



BME2- Replace with Packer TE SERIES

Parameters

Type		BME2 -65	BME2 -80	BME2 -100	BME2 -125	BME2 -160	BME2 -200	BME2 -230	BME2 -250	BME2 -295	BME2 -315	BME2 -375
Displacement		66.8	81.3	102	127	157.2	193.6	226	257	287.8	314.5	370
Max. speed (rpm)	cont.	667	543	439	350	283	229	247	216	196	178	152
	int.	842	689	553	441	355	289	328	287	254	235	199
Max. torque (N•m)	cont.	110	136	165	214	265	312	318	329	348	364	372
	int.	126	157	191	245	307	382	378	381	393	448	439
	peak	176	215	268	335	422	520	528	543	547	587	613
Max. output (kW)	cont.	8.3	8.8	7.9	8.9	8.9	9	9.9	9.3	8.7	8	7.6
	int.	13.9	14.4	13.5	14.1	15.6	15.7	17.9	16.5	15.6	14.3	14
Max. pressure drop (MPa)	cont.	14	14	14	14	14	14	12	11	10	10	9
	int.	19	19	19	19	19	19	16.5	15.5	14.5	13.5	12.5
	peak	20	20	20	20	20	20	18	18	17	16	16
Max. flow (L/min)	cont.	45	45	45	45	45	57	57	57	57	57	57
	int.	57	57	57	57	57	75	75	75	75	75	75

Selection

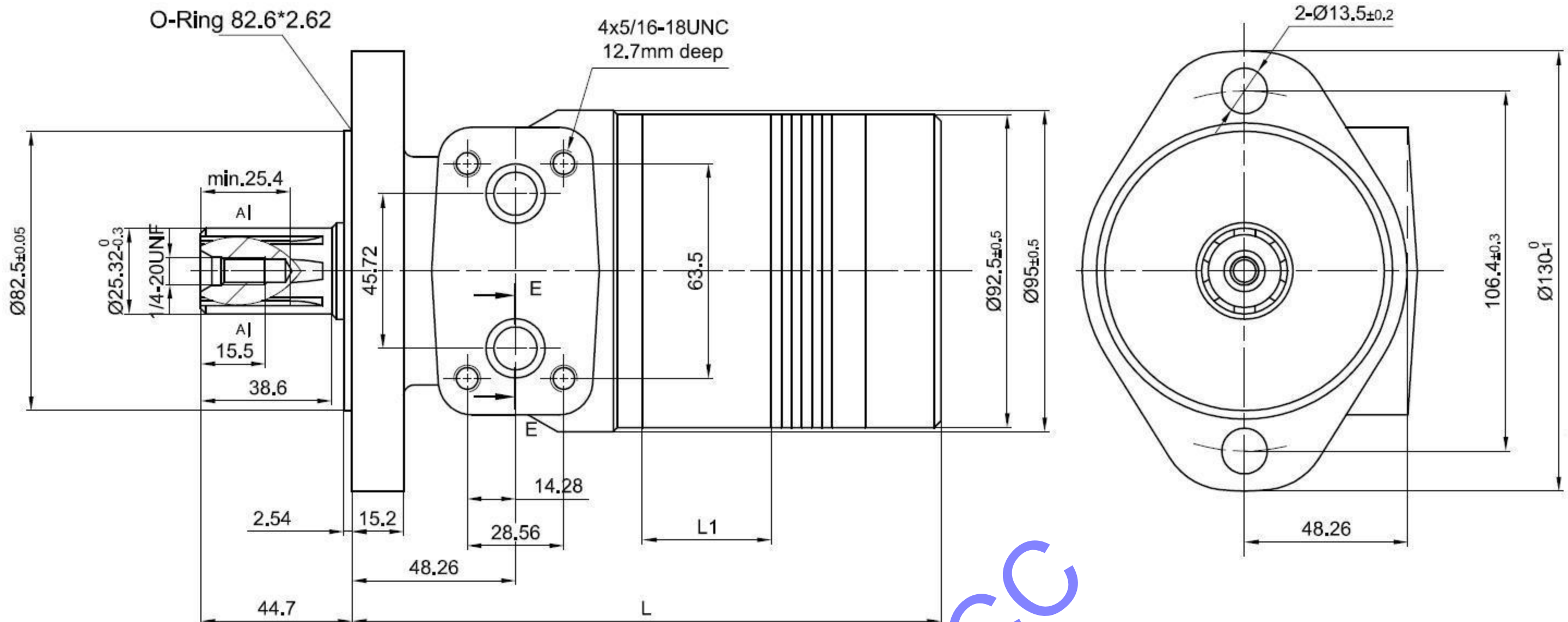
1	2	3	4	6	7
Series	Displacement	Flange&Ports	Output shaft	Rotation direction	Paint
BME2	80	Code WM: 4-Ø13.5 Wheel-flange, pilot Ø 60.3×7 port M22*1.5	Code S: Ø25.4, Splined tooth SAE 6B Code H: Ø25.4, Cylindrical shaft, Pin hole Ø9.7 Code K: Ø25.4 Woodruff key Ø25.4*6.35 Code A: Ø25 Parallel key 7.95×7.95×31.75 Code T: Ø 25.4 Cone shaft, Woodruff key Ø25.4*6.35	Omit: Standard Opposite	Omit: Blue Code 00: No paint, Code B: Black Code S: Silver Grey
	100	Code WD: 4-Ø13.5 Wheel-flange, pilot Ø 60.3×7 port G1/2			
	125	Code WS: 4-Ø13.5 Wheel-flange, pilot Ø 60.3×7 port 7/8-14 O-ring			
	160	Code HM: 2-Ø13.5 Rhomb-flange, pilot Ø 82.5×2.54 port 1/2 inch Manifold mount 4×			
	200	Code HS: 2-Ø13.5 Rhomb-flange, pilot Ø 82.5×2.54 port 7/8-14 O-ring			
	230	Code HP: 2-Ø13.5 Rhomb-flange, pilot Ø 82.5×2.54 port 1/2-14 NPFT Pipe			
	230	Code HD: 2-Ø13.5 Rhomb-flange, pilot Ø 82.5×2.54 port G1/2			
	250	Code HG: 2-Ø13.5 Rhomb-flange, pilot Ø 82.5×2.54 port M22*1.5			
	295	Code H4S: 4-3/8-16Square-flange, pilot Ø 44.4×2.54 port 7/8-14 O-ring			
	315	Code H4P: 4-3/8-16Square-flange, pilot Ø 44.4×2.54 port 1/2-14 NPFT Pipe			
375	Code H4D: 4-3/8-16Square-flange, pilot Ø 44.4×2.54 port G1/2				

BME2 Series hydraulic orbit motor



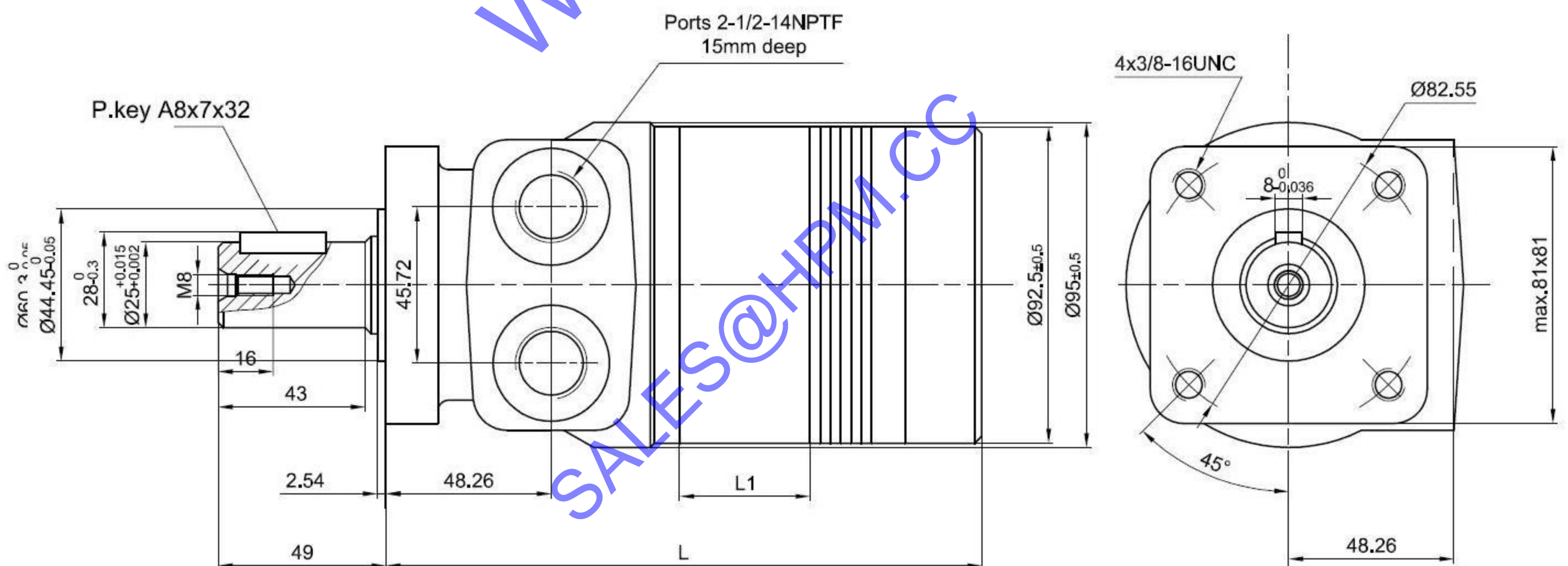
Popular model drawing

BME2-x-HMS**



HPM Model	Packer Model	L mm	L1 mm	HPM Model	Packer Model	L mm	L1 mm
BME2-65-HMS**	TE0065AM11**	149	13	BME2-230-HMS**	TE00230AM11**	180	44
BME2-80-HMS**	TE0080AM11**	152	16	BME2-250-HMS**	TE00260AM11**	186	50
BME2-100-HMS**	TE00100AM11**	156	20	BME2-295-HMS**	TE00295AM11**	192	56
BME2-125-HMS**	TE00130AM11**	161	25	BME2-315-HMS**	TE00330AM11**	198	62
BME2-160-HMS**	TE00165AM11**	167	30.5	BME2-375-HMS**	TE00365AM11**	210	74
BME2-200-HMS**	TE00195AM11**	174	38.1				

BME2-x-H4PA**



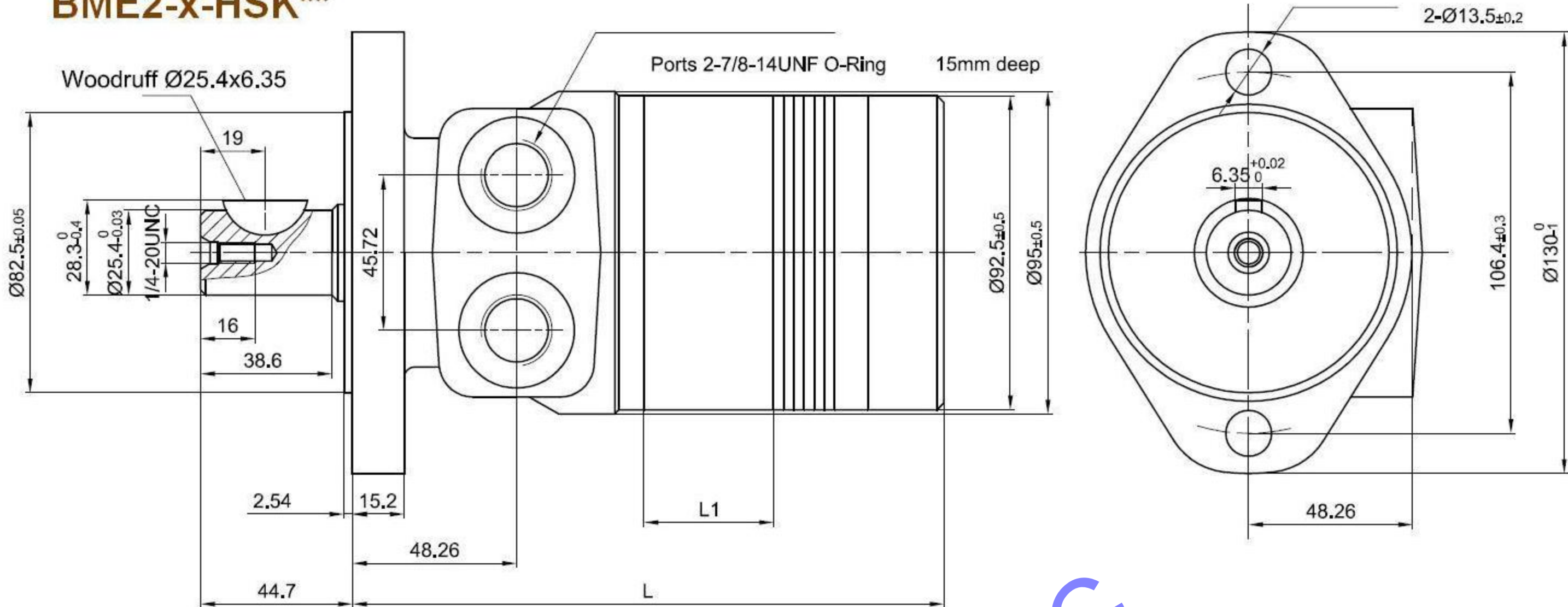
HPM Model	Packer Model	L mm	L1 mm	HPM Model	Packer Model	L mm	L1 mm
BME2-65-H4PA**	TE0065FP26**	149	13	BME2-230-H4PA**	TE00230FP26**	180	44
BME2-80-H4PA**	TE0080FP26**	152	16	BME2-250-H4PA**	TE00260FP26**	186	50
BME2-100-H4PA**	TE00100FP26**	156	20	BME2-295-H4PA**	TE00295FP26**	192	56
BME2-125-H4PA**	TE00130FP26**	161	25	BME2-315-H4PA**	TE00330FP26**	198	62
BME2-160-H4PA**	TE00165FP26**	167	30.5	BME2-375-H4PA**	TE00365FP26**	210	74
BME2-200-H4PA**	TE00195FP26**	174	38.1				

BME2 Series hydraulic orbit motor



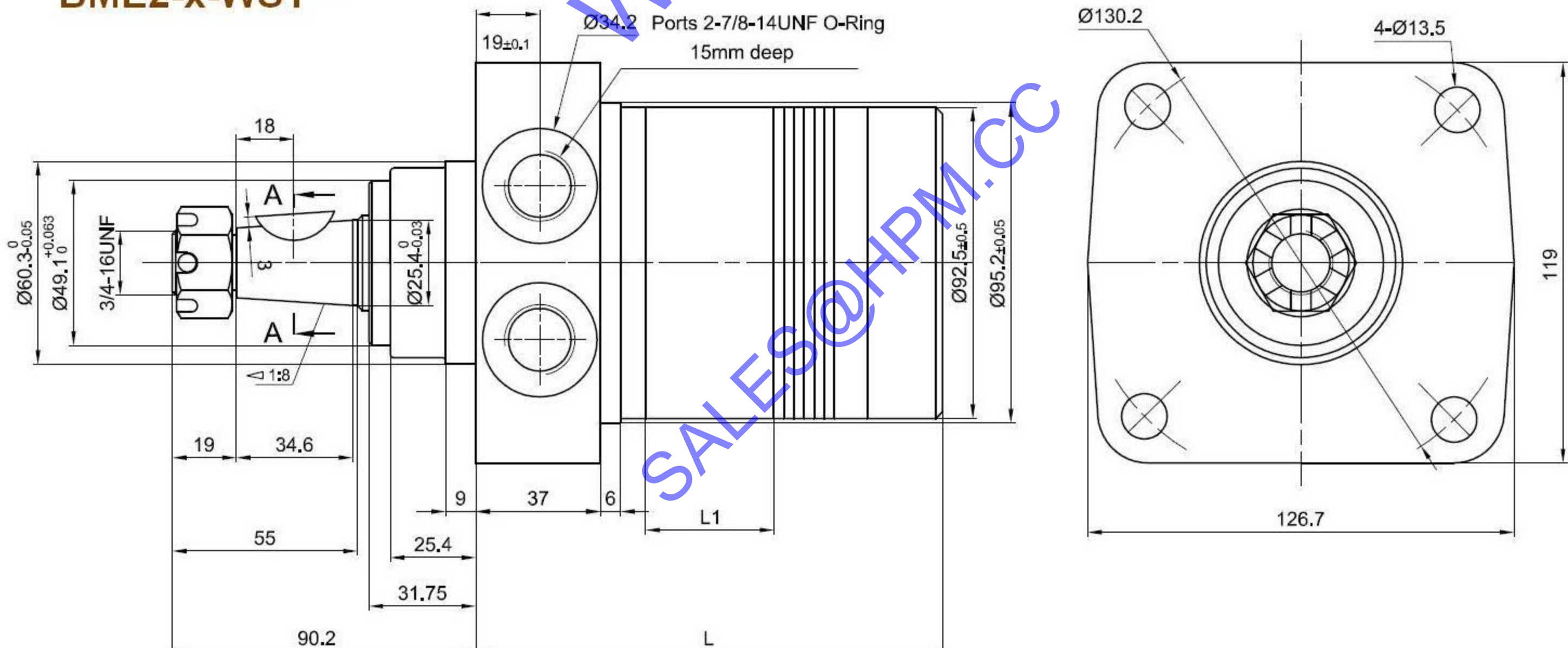
Popular model drawing

BME2-x-HSK**



HPM Model	Packer Model	L mm	L1 mm	HPM Model	Packer Model	L mm	L1 mm
BME2-65-HSK**	TE0065AS10**	149	13	BME2-230-HSK**	TE00230AS10**	180	44
BME2-80-HSK**	TE0080AS10**	152	16	BME2-250-HSK**	TE00260AS10**	186	50
BME2-100-HSK**	TE00100AS10**	156	20	BME2-295-HSK**	TE00295AS10**	192	56
BME2-125-HSK**	TE00130AS10**	161	25	BME2-315-HSK**	TE00330AS10**	198	62
BME2-160-HSK**	TE00165AS10**	167	30.5	BME2-375-HSK**	TE00365AS10**	210	74
BME2-200-HSK**	TE00195AS10**	174	38.1				

BME2-x-WST**



HPM Model	Packer Model	L mm	L1 mm	HPM Model	Packer Model	L mm	L1 mm
BME2-65-WST**	TE0065US25**	149	13	BME2-230-WST**	TE00230US25**	180	44
BME2-80-WST**	TE0080US25**	152	16	BME2-250-WST**	TE00260US25**	186	50
BME2-100-WST**	TE00100US25**	156	20	BME2-295-WST**	TE00295US25**	192	56
BME2-125-WST**	TE00130US25**	161	25	BME2-315-WST**	TE00330US25**	198	62
BME2-160-WST**	TE00165US25**	167	30.5	BME2-375-WST**	TE00365US25**	210	74
BME2-200-WST**	TE00195US25**	174	38.1				

BMJ Series hydraulic orbit motor



BMJ- Replace with Packer TJ SERIES

Parameters

Type		BMJ-65	BMJ-80	BMJ-100	BMJ-125	BMJ-160	BMJ-200	BMJ-230	BMJ-250	BMJ-295	BMJ-315	BMJ-375
Displacement		66.8	81.3	101.6	127	157.2	193.6	226	257	287.8	314.5	370
Max. speed (rpm)	cont.	667	543	439	350	283	229	247	216	196	178	152
	int.	842	689	553	441	355	289	328	287	254	235	199
Max. torque (N·m)	cont.	126	157	191	245	307	382	378	381	393	448	439
	int.	176	215	268	335	422	520	528	543	547	587	613
Max. output (kW)	cont.	8.3	8.8	7.9	8.9	8.9	9	9.9	9.3	8.7	8	7.6
	int.	13.9	14.4	13.5	14.1	15.6	15.7	17.9	16.5	15.6	14.3	14
Max. pressure drop (MPa)	cont.	14	14	14	14	14	14	12	11	10	10	9
	int.	19	19	19	19	19	19	16.5	15.5	14.5	13.5	12.5
	peak	20	20	20	20	20	20	18	18	17	16	16
Max. flow (L/min)	cont.	45	45	45	45	45	45	57	57	57	57	57
	int.	57	57	57	57	57	57	75	75	75	75	75

Selection

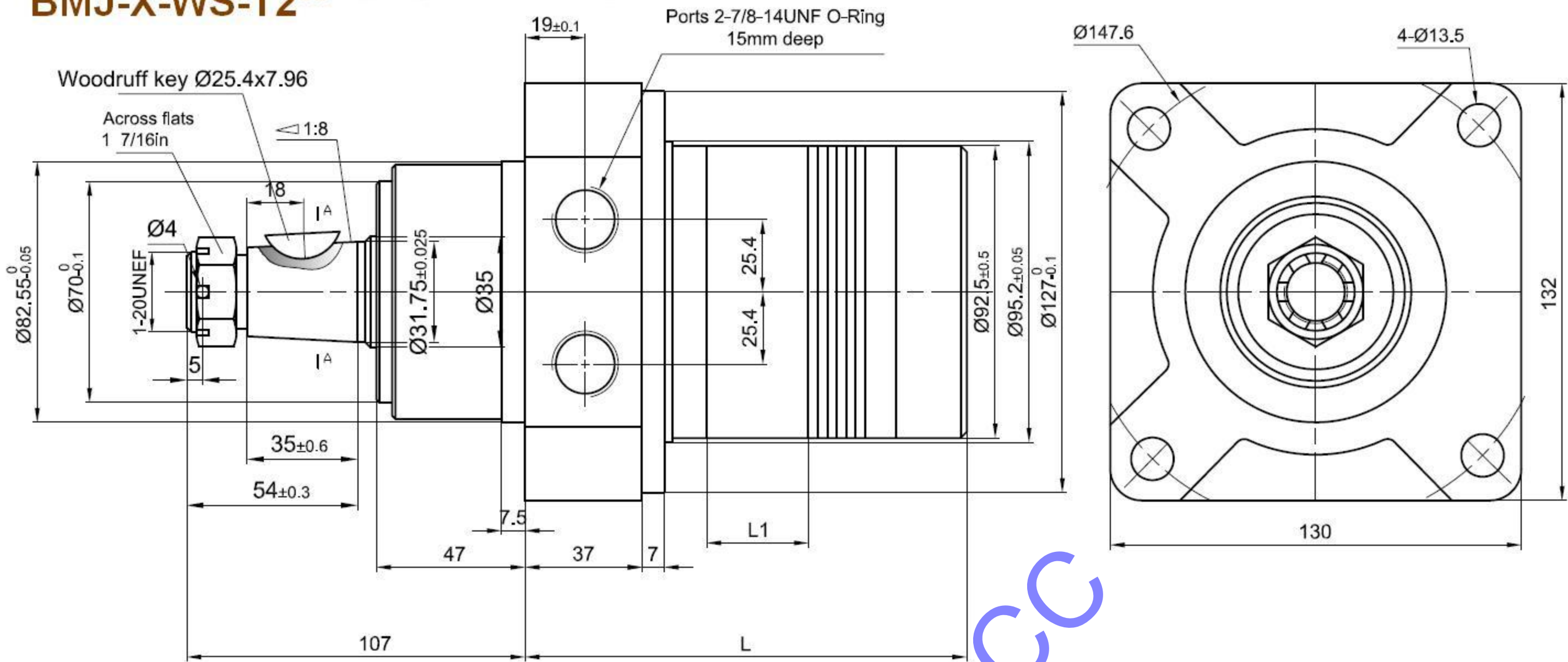
1	2	3	4	5	6
Series	Displacement	Flange&Ports	Output shaft	Rotation direction	Paint
BMJ	65	Code WS: 4-Ø13.5 Wheel-flange, pilot Ø82.55 ×7, port 7/8-14 O-ring	Code T1: Ø35 Cone shaft , Parallel key 6*6*20 Code T2: Ø31.75 Cone shaft , woodruff key Ø 25.4*7.96 Code T3: Ø31.75 Cone shaft , Parallel key 7.96*7.96*31.75 Code B: Ø32 Cylindrical shaft , Parallel key 10*8*45	Omit: Standard Code R: Opposite	Omit: Blue Code 00: No paint Code B: Black, Code S: Silver Grey
	80	Code WM: 4-Ø13.5 Rhomb-flange , pilot Ø82.5 ×7 ,port M22*1.5			
	100	Code WM: 4-Ø13.5 Rhomb-flange , pilot Ø82.5 ×7 ,port M22*1.5			
	125	Code WM: 4-Ø13.5 Rhomb-flange , pilot Ø82.5 ×7 ,port M22*1.5			
	160	Code WM: 4-Ø13.5 Rhomb-flange , pilot Ø82.5 ×7 ,port M22*1.5			
	200	Code WM: 4-Ø13.5 Rhomb-flange , pilot Ø82.5 ×7 ,port M22*1.5			
	230	Code WD: 4-Ø13.5 Wheel- flange, pilot Ø82.55×7 ,port G1/2			
	250				
	295				
	315				
375					

BMJ Series hydraulic orbit motor



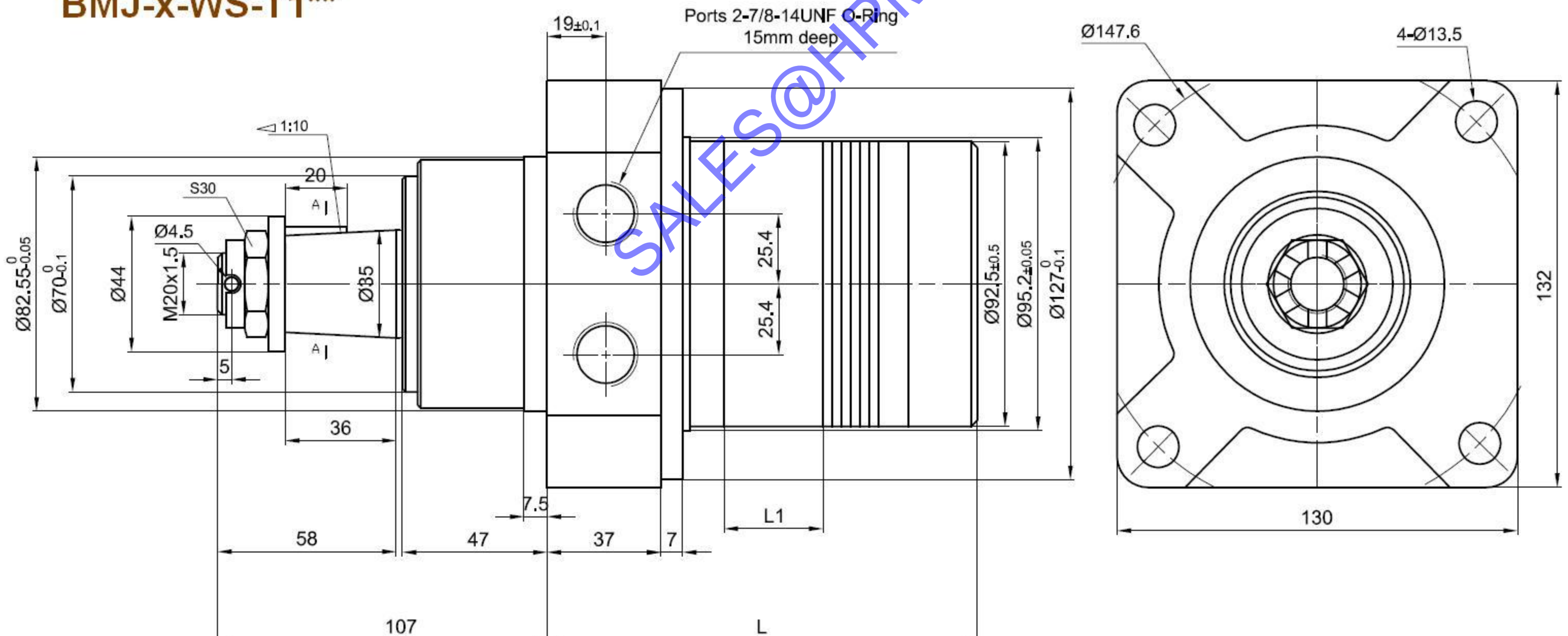
Popular model drawing

BMJ-X-WS-T2**



HPM Model	Packer model	L mm	L1 mm	HPM Model	Packer model	L mm	L1 mm
BMJ-65-WS-T2**	TJ0065US08**	115	13	BMJ-230-WS-T2**	TJ0230US08**	146	44
BMJ-80-WS-T2**	TJ0080US08**	118	16	BMJ-250-WS-T2**	TJ0260US08**	152	50
BMJ-100-WS-T2**	TJ0100US08**	122	20	BMJ-295-WS-T2**	TJ0295US08**	158	56
BMJ-125-WS-T2**	TJ0130US08**	127	25	BMJ-315-WS-T2**	TJ0330US08**	164	62
BMJ-160-WS-T2**	TJ0165US08**	132.5	30.5	BMJ-375-WS-T2**	TJ0365US08**	176	74
BMJ-200-WS-T2**	TJ0195US08**	140	38.1				

BMJ-x-WS-T1**



BMER Series hydraulic orbit motor



BMER - Replace with WHITE RE 500/501 SERIES
Packer TG SERIES

Parameters

Type		BMER-125	BMER-160	BMER-200	BMER-230	BMER-250	BMER-300	BMER-350	BMER-375	BMER-475	BMER-540	BMER-750
Displacement		118	156	330	228	257	296	345	371	462	140	745
Max. speed (rpm)	cont.	360	375	425	290	290	250	220	200	160	170	100
	int.	490	470	530	365	350	315	270	240	195	980	120
Max. torque (N•m)	cont.	325	450	530	625	700	810	905	990	1085	980	1050
	int.	380	525	600	710	790	930	1035	1140	1180	1240	1180
	peak	450	590	750	870	980	1120	1285	1360	1260	1380	1370
Max. output (kW)	cont.	12	15	15.5	16	17.5	18	17.5	16.5	14.5	11.5	8
	int.	14	17.5	18	19	20	21	20	19	16.5	15	10
Max. pressure drop (MPa)	cont.	20.5	20.5	20.5	20.5	20.5	20.5	20.5	20.5	17.5	14	10.5
	int.	24	24	24	24	24	24	24	24	19	17.5	12
	peak	27.6	27.6	27.6	27.6	27.6	27.6	27.6	27.6	20.5	20.5	14
Max. flow (L/min)	cont.	45	60	70	70	75	80	80	75	75	75	75
	int.	60	75	85	85	90	95	95	90	90	90	90

Selection

1	2	3	4
Series	Displacement	Flange&Ports	Output shaft
BMER	125	Code MS: 4-Ø13.5 Magneto Mount , pilot Ø82.55×2.8 port 7/8-14 O-ring Code MP: 4-Ø13.5 Magneto Mount, pilot Ø82.55×2.8 port 1/2 -14NPTF Code MD: 4-Ø13.5 Magneto Mount, pilot Ø82.55×2.8 port G1/2 Code FS: 6-Ø13.5 Magneto Mount, , pilot Ø82.5×2.8 port 7/8-14 O-ring Code FD: 6-Ø13.5 Magneto Mount, , pilot Ø82.55×2.8 port G1/2 Code FH: 6-Ø13.5 Magneto Mount, , pilot Ø82.55×2.8 port G1/2 Manifold ports 1/2 Code WS: 4-Ø13.5 Wheel Mount , pilot Ø82.55×5 port 7/8-14 O-ring Code WP: 4-Ø13.5 Wheel Mount , pilot Ø82.55×5 port 1/2 -14NPTF Code WD: 4-Ø13.5 Wheel Mount,Pilot Ø82.55×5 port G1/2	Code AW: Ø25 , Parallel key 8×7×32 Code B1: Ø32 , Parallel key 10×8×45 Code G2: Ø31.75,Parallel key 7.95×7.95×31.75 Code T4: Ø31.75 Cone shaft, Splined key 7.96×7.96×25.4 Code RW: Ø25.4,Parallel key 6.35×6.35×31.75 Code SW: Ø25.4,Splined key SAE 6B Code FD1: Ø31.75 Shaft , Splined key 14-DP12/24
	160		
	200		
	230		
	250		
	300		
	350		
	375		
	475		
	540		
745			

5	6	7
Rotation direction	Paint	Unusually function
Omit: Standard Code R: Opposite	Omit: Blue Code 00: No paint Code B: Black Code S: Silver Grey	Omit: Standard Code 0: No case drain Code N: Big radial force Code F: Free running Code LS: Low speed

Popular Models

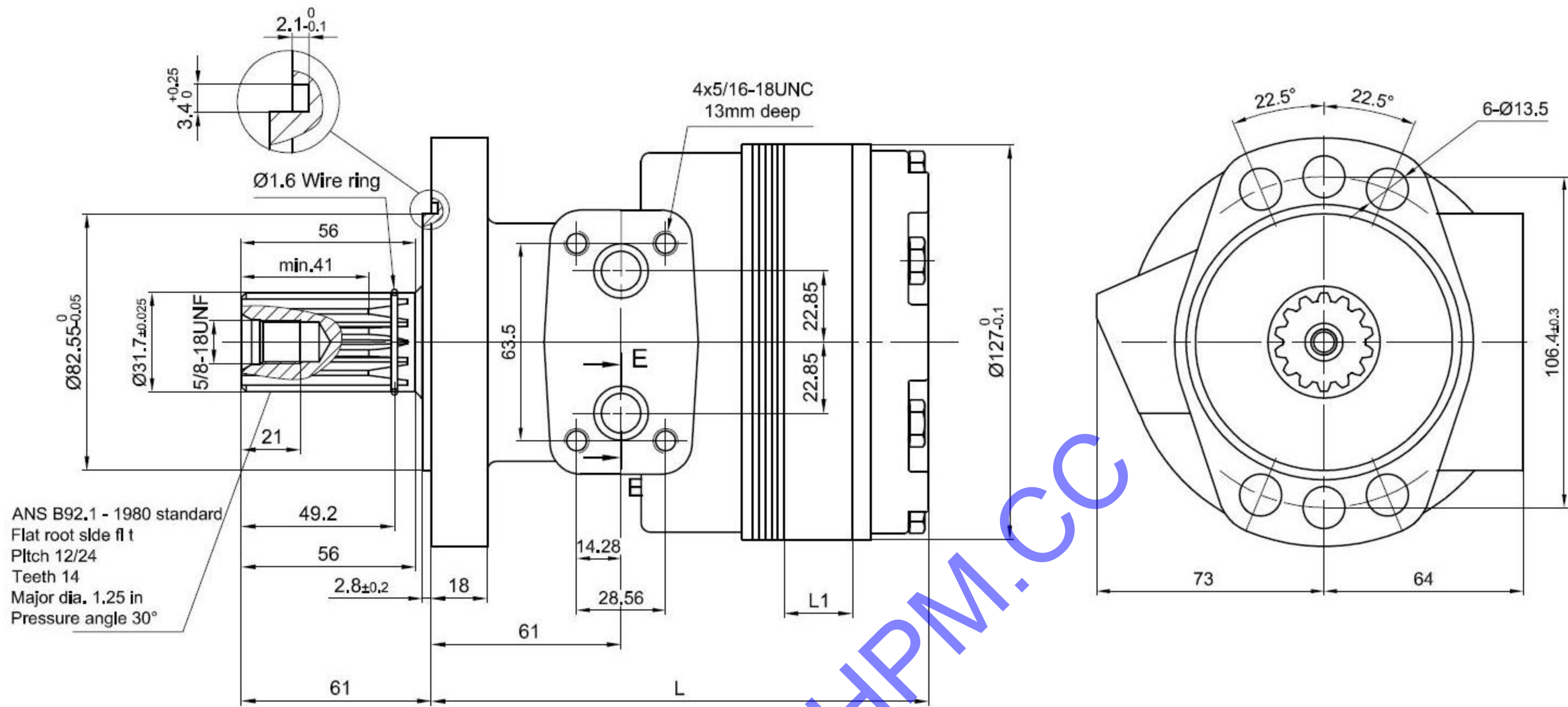
HPM Model	WHITE RE Model	Remarks
BMER-1-x-MS-B1	500(501)-x-A31-21	OEM feasible
BMER-1-x-MD-AW	500(501)-x-A38-12	
BMER-1-x-FS-G2	500(501)-x-A51-20	
BMER-1-x-FD-SW	500(501)-x-A58-02	
BMER-1-x-WS-T4	500(501)-x-W31-22	
BMER-1-x-WD-FD1	500(501)-x-W38-23	

BMER Series hydraulic orbit motor

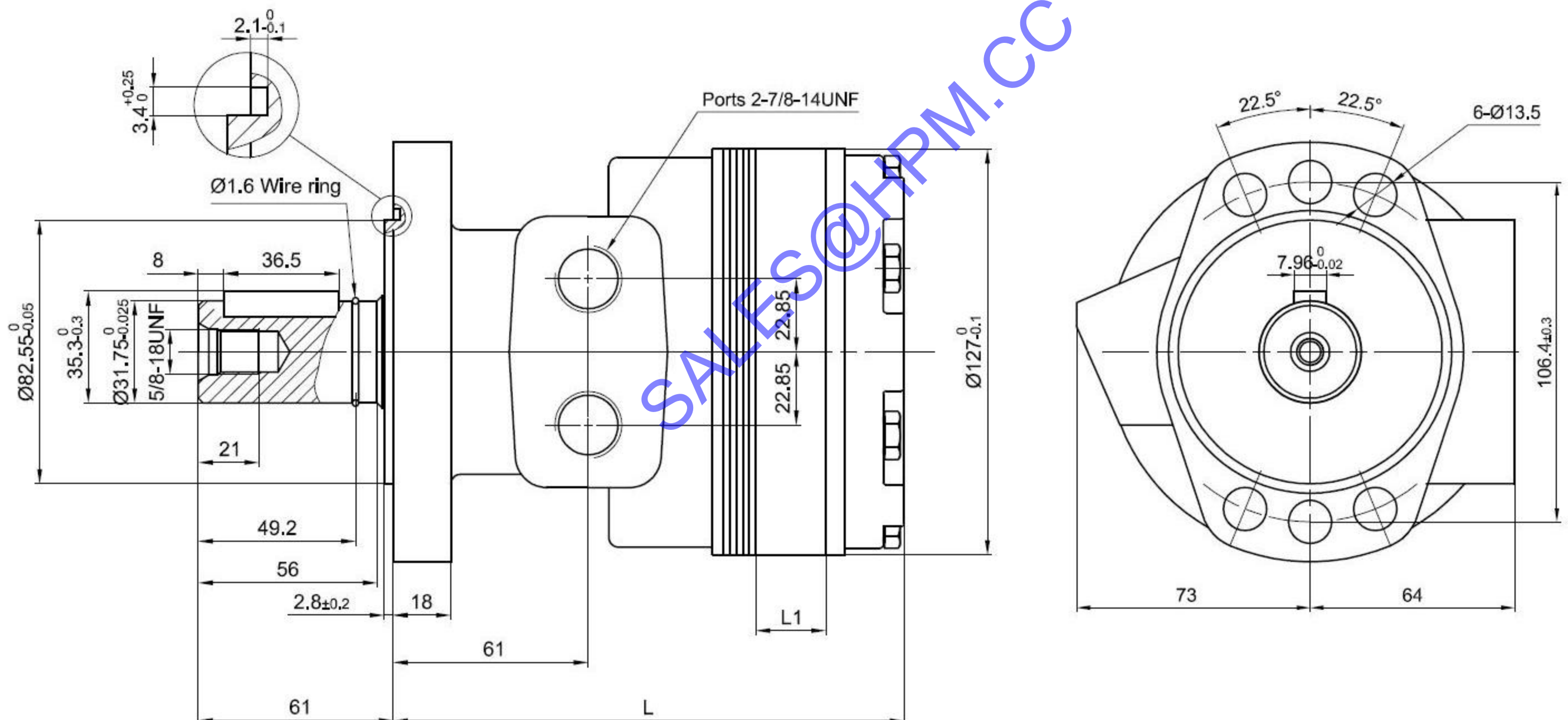


Popular model drawing

BMER-1-x-FH-FD1



BMER-1-x-FS-G2

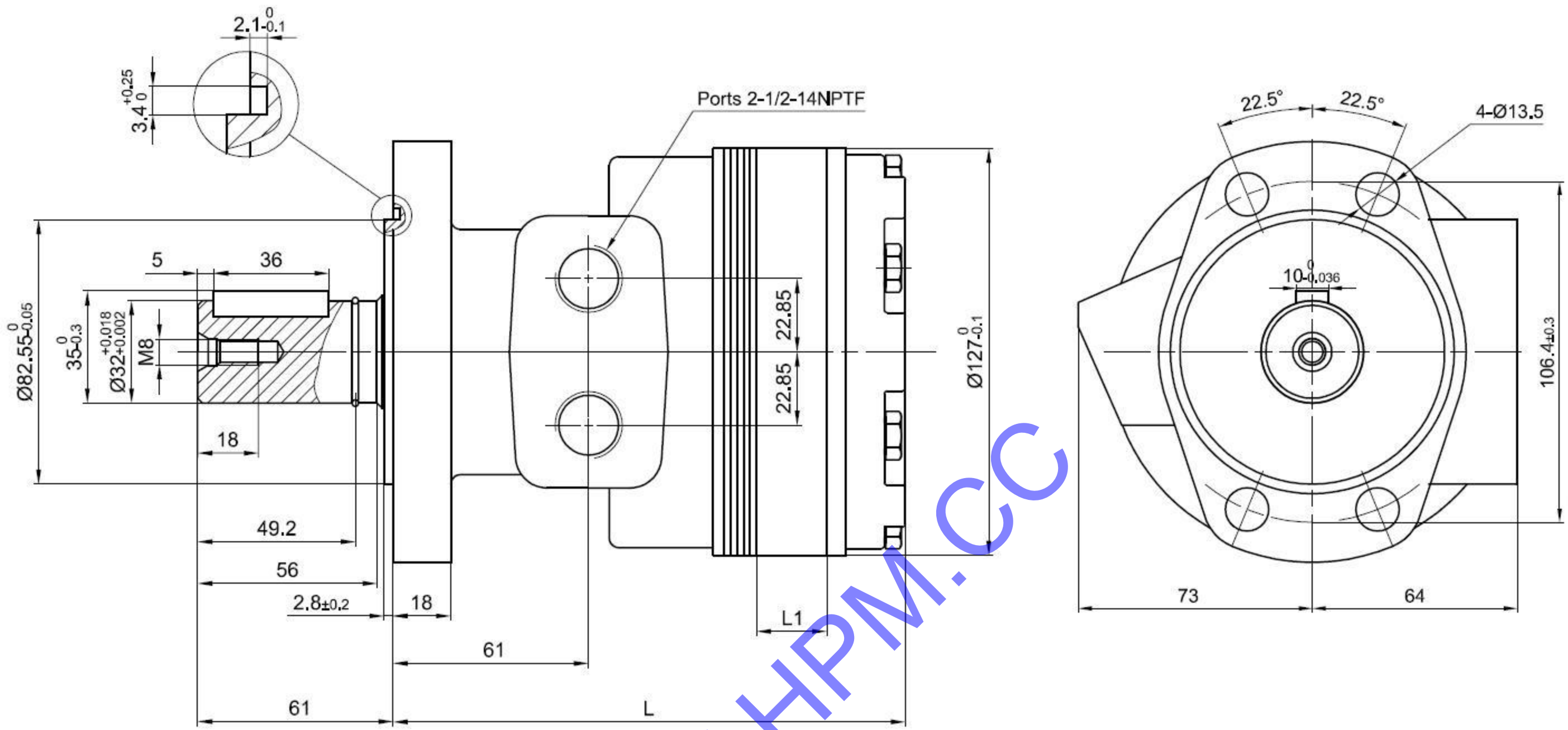


BMER Series hydraulic orbit motor

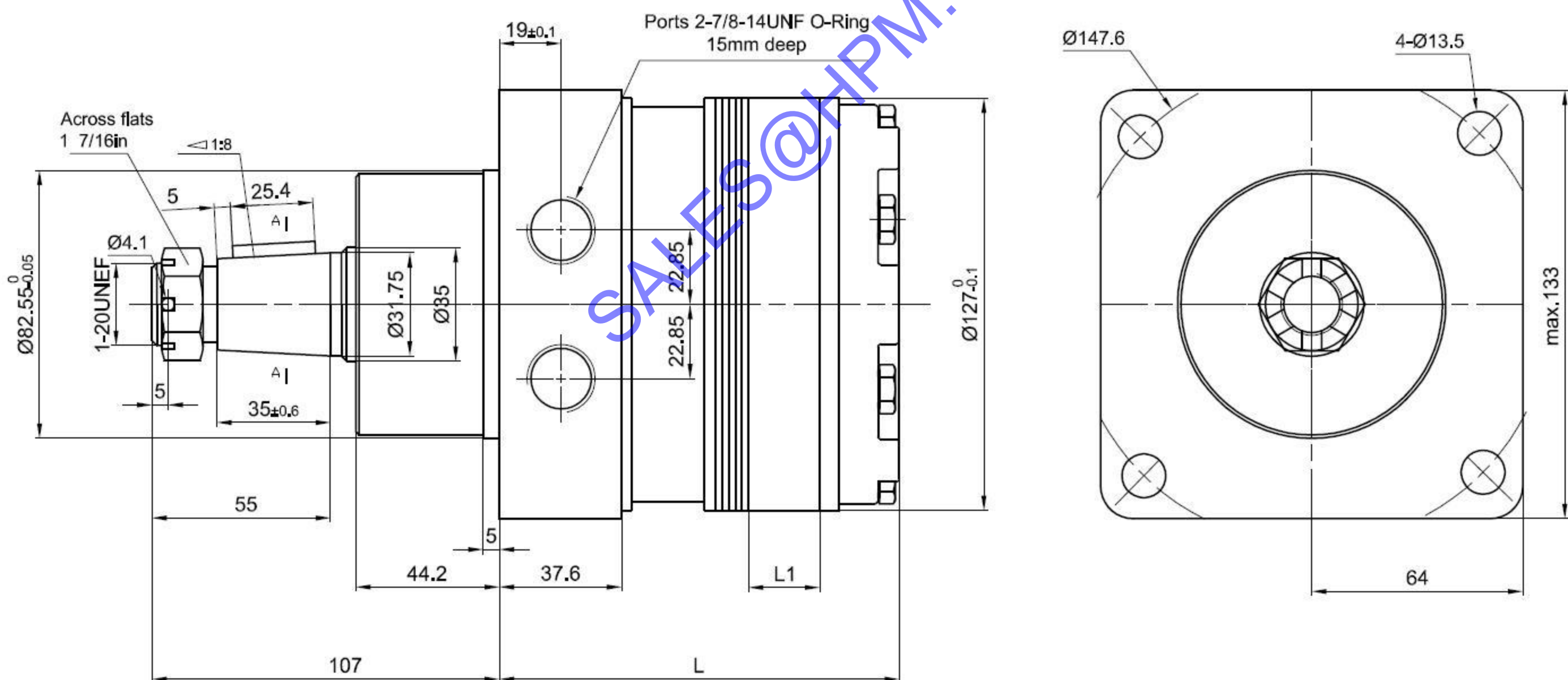


Popular model drawing

BMER-1-x-MP-B1



BMER-1-x-WS-T4

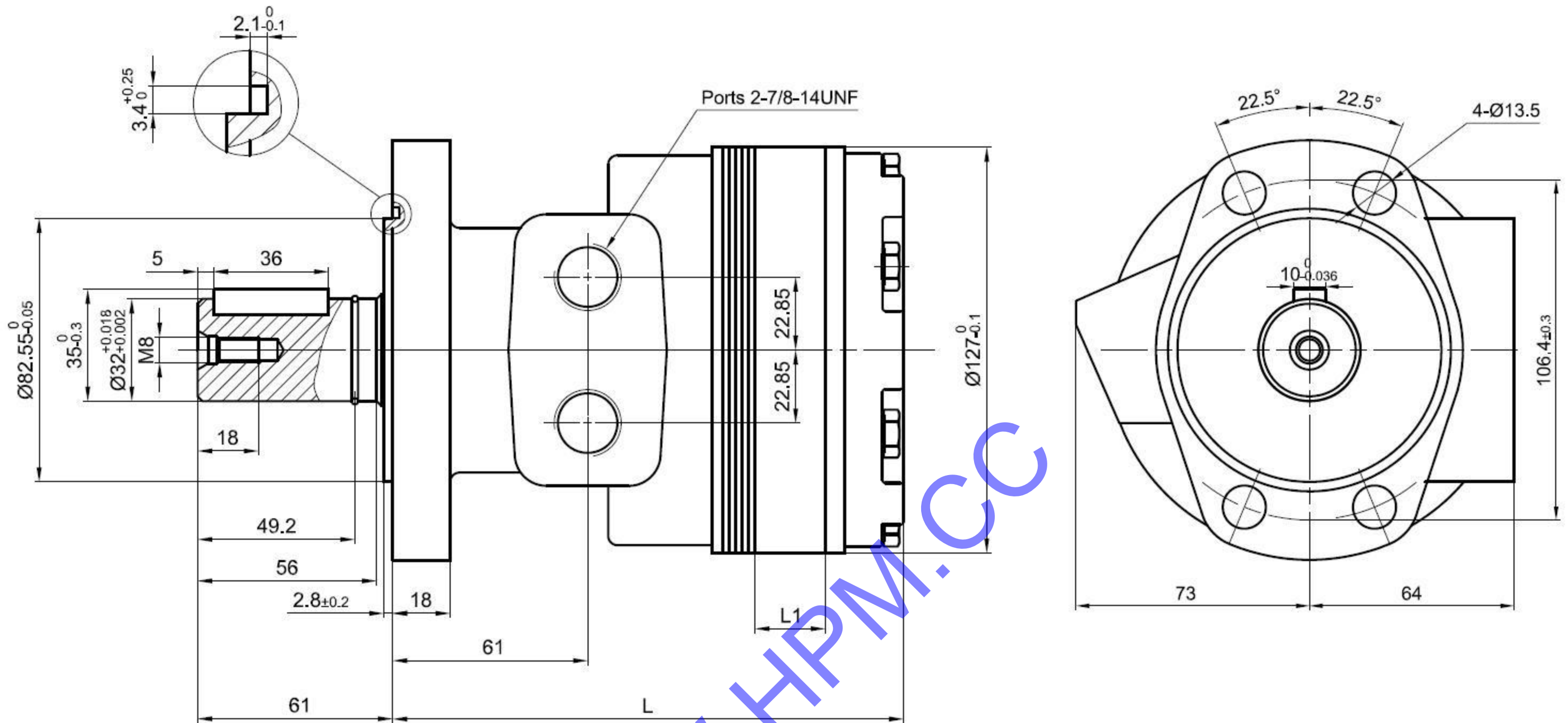


BMER Series hydraulic orbit motor



Popular model drawing

BMER-1-x-MS-B1



BMER-1-x-WD-FD1

