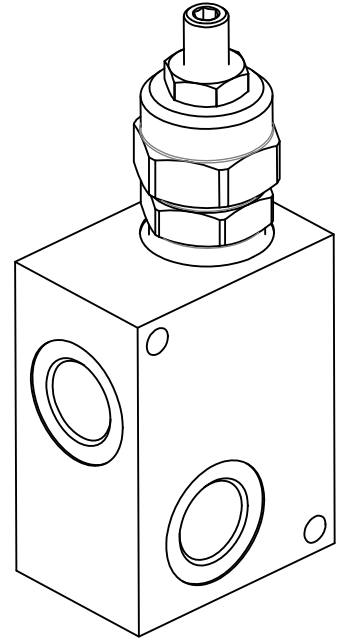
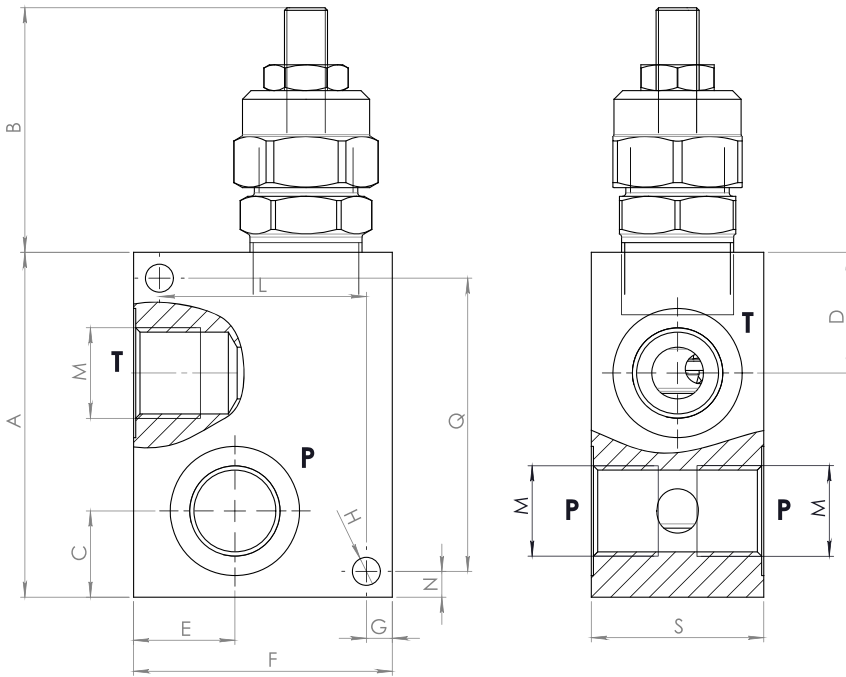
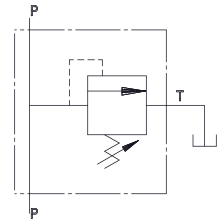


Dimensions

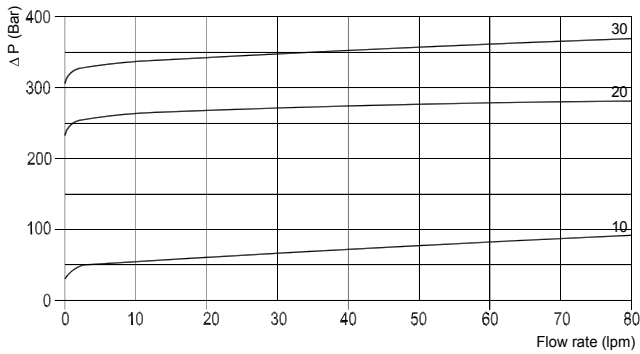


Hydraulic Symbol



Size	A	B max	C	D	E	F	G	H	L	M BSP	N	Q	S	Weight kg
03	80	57	20	28	23,5	60	6	6,5	48	1/2	6	68	40	0,70
04	80	57	20	28	23,5	60	6	6,5	48	3/4	6	68	40	0,67

Curves



Features

Rated Flow	80 lpm
Max Pressure	350 bar

Materials: Zinc plated steel cartridge, hardened steel inner parts.
Aluminium manifold.

Ordering Code

PRL 80 -- -- -

Port Size BSP		Spring (bar)	
03	1/2	10	5-50
04	3/4	20	30-260
		30	130-350

Adjustments		
A		Socket Screw
B		Handknob
C		Tamperproof Cap

Ordering Code Example: PRL800420A = 3/4 Port Size - 30-260 bar setting range, Socket screw adjustment.